

DATENBLATT

HIROSE DF61 Serie



ES&S Solutions GmbH
Gewerbering 2
41751 Viersen, Germany

Telefon: +49 (0)2162-266-18-0
Fax: +49 (0)2162-266-18-88
E-Mail: info@esskabel.de

www.esskabel.de

BESCHREIBUNG

Steckverbinderserie DF61 von **HIROSE** für LED-Beleuchtungstechnik ebenso für LED Module und Touch Panel einsetzbar, AWG22 bis 26, 2 polig.

TECHNISCHE DATEN UNSERES KABELS MIT DEM HIROSE DF61 STECKVERBINDER: KAB-DF61-02S-0500LI-AWG24:

- Seite 1: DF61-02S-2.2C(13), Raster 2.2 mm
- Seite 2: unbearbeitet, offen
- Litze (Farbe nach Wunsch)
- 3.2 A mit AWG26
- 4 A mit AWG24
- 5 A mit AWG22
- L = 500 mm

Dieses Kabel passt zu nachfolgenden Crimpkontakten:

- DF61-2226SCF(41)
- DF61-2628SCF

Dieses Kabel passt auf nachfolgenden SMT Sockel:

- DF61-2P-2.2V(21) rot
- DF61-2P-2.2V(22) gelb
- DF61-2P-2.2V(23) beige

Die Konfektionierung einer passenden Leitung sowie die Herstellung eines gesamten anschlussfertigen Kabels bieten wir Ihnen gerne auch als Mustermenge an. Bitte kontaktieren Sie uns. Wir machen Ihnen ein unverbindliches Angebot.

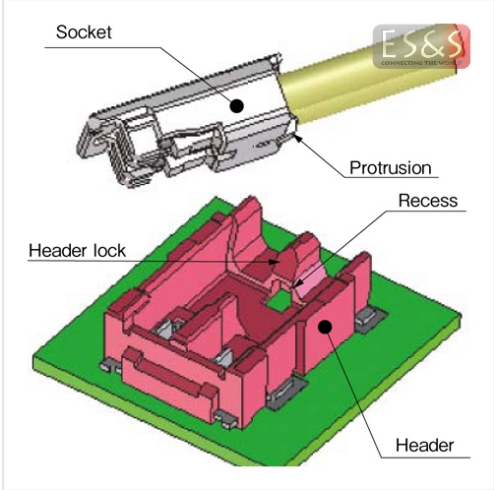
ES&S Solutions GmbH
Gewerbering 2
41751 Viersen, Germany

Telefon: +49 (0)2162-266-18-0
Fax: +49 (0)2162-266-18-88
E-Mail: info@esskabel.de

www.esskabel.de

Disclaimer: In the absence of confirmation by device specification sheets, ES&S Solutions GmbH takes no responsibility for any defects that occur in equipment using any of ES&S's devices, shown in catalogs, data books, etc. Contact ES&S in order to obtain the latest device specification sheets before using any ES&S's device. ES&S reserves the right to make changes in the specifications, characteristics, data, materials, structures and other contents described herein at any time without notice in order to improve design or reliability. Contact ES&S in order to obtain the latest specification sheets before using any ES&S's device. Manufacturing locations are also subject to change without notice. Observe the following points when using any device in this publication. ES&S takes no responsibility for damage caused by improper use of the devices. ES&S's devices shall not be used for equipment that requires extremely high level of reliability, such as: -Military and space applications -Nuclear power control equipment -Medical equipment for life support

BILDER



ES&S Solutions GmbH
Gewerbering 2
41751 Viersen, Germany

Telefon: +49 (0)2162-266-18-0
Fax: +49 (0)2162-266-18-88
E-Mail: info@esskabel.de

www.esskabel.de

Disclaimer: In the absence of confirmation by device specification sheets, ES&S Solutions GmbH takes no responsibility for any defects that occur in equipment using any of ES&S's devices, shown in catalogs, data books, etc. Contact ES&S in order to obtain the latest device specification sheets before using any ES&S's device. ES&S reserves the right to make changes in the specifications, characteristics, data, materials, structures and other contents described herein at any time without notice in order to improve design or reliability. Contact ES&S in order to obtain the latest specification sheets before using any ES&S's device. Manufacturing locations are also subject to change without notice. Observe the following points when using any device in this publication. ES&S takes no responsibility for damage caused by improper use of the devices. ES&S's devices shall not be used for equipment that requires extremely high level of reliability, such as: -Military and space applications -Nuclear power control equipment -Medical equipment for life support