

DATENBLATT

HIROSE DF61 series



ES&S Solutions GmbH
Gewerbering 2
41751 Viersen, Germany

Telefon: +49 (0)2162-266-18-0
Fax: +49 (0)2162-266-18-88
E-Mail: info@esskabel.de

www.esskabel.de

Disclaimer: In the absence of confirmation by device specification sheets, ES&S Solutions GmbH takes no responsibility for any defects that occur in equipment using any of ES&S's devices, shown in catalogs, data books, etc. Contact ES&S in order to obtain the latest device specification sheets before using any ES&S's device. ES&S reserves the right to make changes in the specifications, characteristics, data, materials, structures and other contents described herein at any time without notice in order to improve design or reliability. Contact ES&S in order to obtain the latest specification sheets before using any ES&S's device. Manufacturing locations are also subject to change without notice. Observe the following points when using any device in this publication. ES&S takes no responsibility for damage caused by improper use of the devices. ES&S's devices shall not be used for equipment that requires extremely high level of reliability, such as: -Military and space applications -Nuclear power control equipment -Medical equipment for life support

BESCHREIBUNG

The connector series DF61 from **HIROSE** is among others applicable for LED lighting technology as well as for LED modules and touch panels. The circuits AWG22 til 26, 2 pin.

TECHNICAL DATA FOR A CABLE WITH THE HIROSE DF61 CONNECTOR: KAB-DF61-02S-0500LI-AWG24:

- side 1: DF61-02S-2.2C(13), pitch 2.2 mm
- side 2: unprocessed, just cut off
- strands (color as required)
- 3.2 A with AWG26
- 4 A with AWG24
- 5 A with AWG22
- l = 500 mm

We also offer the assembly of this wire as well as the complete cable ready-for-connection in small quantities. Please contact us for any information. We would be glad to submit you our offer without any obligation.

This cable fits for the following crimp contacts:

- DF61-2226SCF(41)
- DF61-2628SCF

This cable fits for the following SMT header:

- DF61-2P-2.2V(21) red
- DF61-2P-2.2V(22) yellow
- DF61-2P-2.2V(23) beige

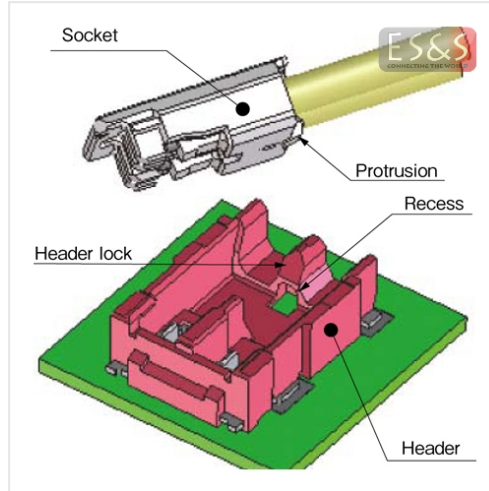
ES&S Solutions GmbH
Gewerbering 2
41751 Viersen, Germany

Telefon: +49 (0)2162-266-18-0
Fax: +49 (0)2162-266-18-88
E-Mail: info@esskabel.de

www.esskabel.de

Disclaimer: In the absence of confirmation by device specification sheets, ES&S Solutions GmbH takes no responsibility for any defects that occur in equipment using any of ES&S's devices, shown in catalogs, data books, etc. Contact ES&S in order to obtain the latest device specification sheets before using any ES&S's device. ES&S reserves the right to make changes in the specifications, characteristics, data, materials, structures and other contents described herein at any time without notice in order to improve design or reliability. Contact ES&S in order to obtain the latest specification sheets before using any ES&S's device. Manufacturing locations are also subject to change without notice. Observe the following points when using any device in this publication. ES&S takes no responsibility for damage caused by improper use of the devices. ES&S's devices shall not be used for equipment that requires extremely high level of reliability, such as: -Military and space applications -Nuclear power control equipment -Medical equipment for life support

BILDER



Disclaimer: In the absence of confirmation by device specification sheets, ES&S Solutions GmbH takes no responsibility for any defects that occur in equipment using any of ES&S's devices, shown in catalogs, data books, etc. Contact ES&S in order to obtain the latest device specification sheets before using any ES&S's device. ES&S reserves the right to make changes in the specifications, characteristics, data, materials, structures and other contents described herein at any time without notice in order to improve design or reliability. Contact ES&S in order to obtain the latest specification sheets before using any ES&S's device. Manufacturing locations are also subject to change without notice. Observe the following points when using any device in this publication. ES&S takes no responsibility for damage caused by improper use of the devices. ES&S's devices shall not be used for equipment that requires extremely high level of reliability, such as: -Military and space applications -Nuclear power control equipment -Medical equipment for life support

ES&S Solutions GmbH
 Gewerbering 2
 41751 Viersen, Germany

Telefon: +49 (0)2162-266-18-0
 Fax: +49 (0)2162-266-18-88
 E-Mail: info@esskabel.de

www.esskabel.de