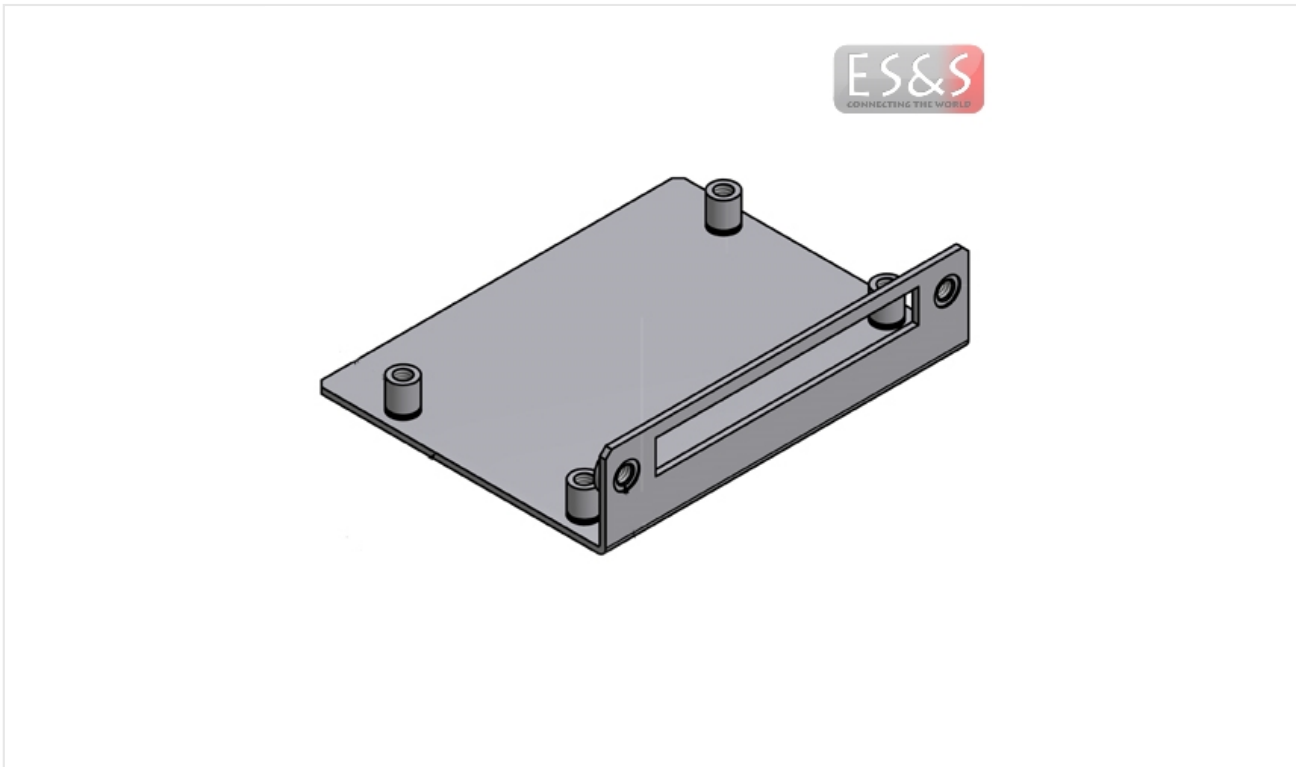


**DATENBLATT**

**ADA-COMPACTFLASH-EXTENDER-FRAME**



## BESCHREIBUNG

Metal frame to fix the ADA-COMPACT-FLASH EXTENDER-0430FFC in any case.

## TECHNICAL SPECIFICATIONS:

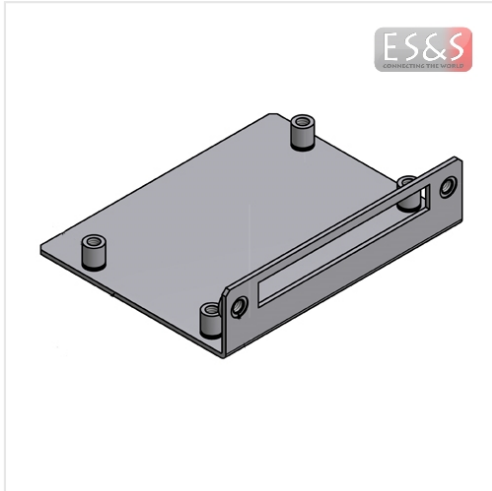
- dimension: 60 (l) x 48 (w) x 15 (h) (in mm)
- operating temperature: -20 °C to 85 °C

This framework will usually be with our Adapter [ADA-COMPACTFLASH-EXTENDER-0430FFC](#) or [ADA-COMPACTFLASH-EXTENDER-0430FPC-DMA](#) offered.

Both products must be ordered separately.

Disclaimer: In the absence of confirmation by device specification sheets, ES&S Solutions GmbH takes no responsibility for any defects that occur in equipment using any of ES&S's devices, shown in catalogs, data books, etc. Contact ES&S in order to obtain the latest device specification sheets before using any ES&S's device. ES&S reserves the right to make changes in the specifications, characteristics, data, materials, structures and other contents described herein at any time without notice in order to improve design or reliability. Contact ES&S in order to obtain the latest specification sheets before using any ES&S's device. Manufacturing locations are also subject to change without notice. Observe the following points when using any device in this publication. ES&S takes no responsibility for damage caused by improper use of the devices. ES&S's devices shall not be used for equipment that requires extremely high level of reliability, such as: -Military and space applications -Nuclear power control equipment -Medical equipment for life support

BILDER



Disclaimer: In the absence of confirmation by device specification sheets, ES&S Solutions GmbH takes no responsibility for any defects that occur in equipment using any of ES&S's devices, shown in catalogs, data books, etc. Contact ES&S in order to obtain the latest device specification sheets before using any ES&S's device. ES&S reserves the right to make changes in the specifications, characteristics, data, materials, structures and other contents described herein at any time without notice in order to improve design or reliability. Contact ES&S in order to obtain the latest specification sheets before using any ES&S's device. Manufacturing locations are also subject to change without notice. Observe the following points when using any device in this publication. ES&S takes no responsibility for damage caused by improper use of the devices. ES&S's devices shall not be used for equipment that requires extremely high level of reliability, such as: -Military and space applications -Nuclear power control equipment -Medical equipment for life support