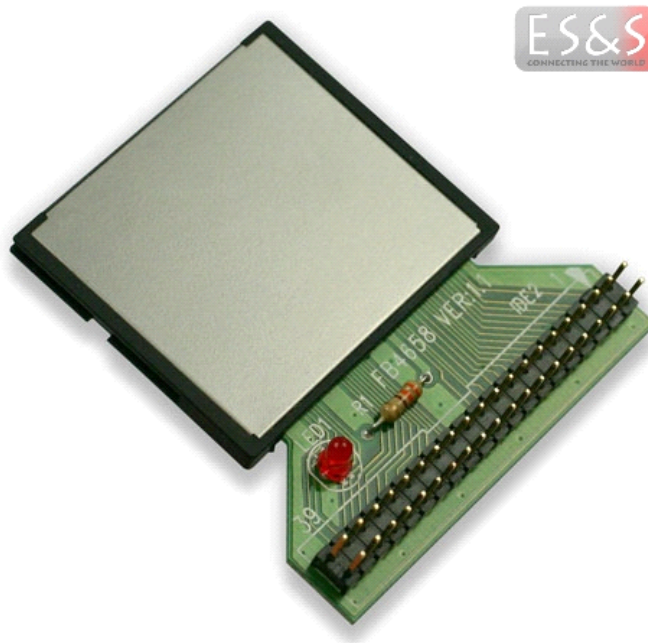


ADA-COMPACTFLASH-ATA-IDE40



CompactFlash zu IDE 40 Adapter

DISCLAIMER:

In the absence of confirmation by device specification sheets, ES&S Oliver Reiners takes no responsibility for any defects that occur in equipment using any of ES&S's devices, shown in catalogs, data books, etc. Contact ES&S in order to obtain the latest device specification sheets before using any ES&S's device. ES&S reserves the right to make changes in the specifications, characteristics, data, materials, structures and other contents described herein at any time without notice in order to improve design or reliability. Contact ES&S in order to obtain the latest specification sheets before using any ES&S's device. Manufacturing locations are also subject to change without notice. Observe the following points when using any device in this publication. ES&S takes no responsibility for damage caused by improper use of the devices. ES&S's devices shall not be used for equipment that requires extremely high level of reliability, such as: -Military and space applications -Nuclear power control equipment -Medical equipment for life support



1. Funktionale Beschreibung

CompactFlash zu IDE 40 Adapter

Über den internen (vor allem in kleinen Embedded-PC-Systeme) vorhandenen CompactFlash Steckverbinder können externe Standardlaufwerke wie CD, DVD und HDD mit IDE40 (2.54 mm pitch) Connector an die IDE Schnittstelle des Mainboards angeschlossen werden. Eine völlig transparente Lösung bei der keine Treiber benötigt werden und die Betriebssystem unabhängig ist. Der ADA-COMPACTFLASH-ATA-IDE40 benötigt keine Spannungsversorgung. Die extern angeschlossenen CD, DVD oder Festplatten benötigen eine Versorgungsspannung. Mit Zugriff LED Anzeige

Relative Luftfeuchtigkeit: 10% - 90% nicht kondensierend

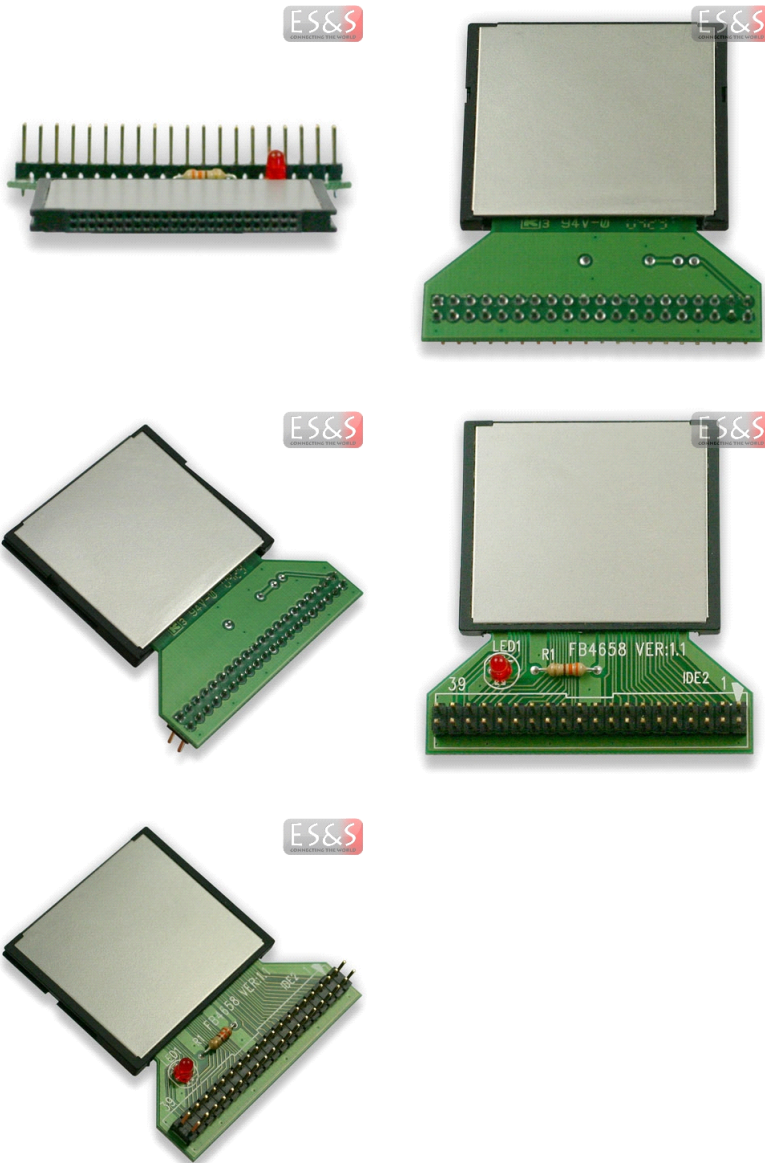
Eigenschaften

- Nur zur Verwendung in CompactFlash Slots, welche direkt an den internen IDE Port (vor allem in kleinen Embedded-PC-Systeme) angeschlossen sind!!!
- Vorübergehend ein externes IDE-Laufwerk (CD oder DVD) oder eine Festplatte an den CompactFlash Connector anschließen. So können Sie ganz einfach ein Betriebssystem oder eine andere Software installieren
- Compact-Flash-Modul-Form-Factor mit externen IDE 40 Anschluß
- Anbindung von externen IDE-CD-ROM, DVD-ROM oder Festplatten
- Bootfähig
- Es werden keine Treiber benötigt
- Betriebssystem unabhängig

DISCLAIMER:

In the absence of confirmation by device specification sheets, ES&S Oliver Reiners takes no responsibility for any defects that occur in equipment using any of ES&S's devices, shown in catalogs, data books, etc. Contact ES&S in order to obtain the latest device specification sheets before using any ES&S's device. ES&S reserves the right to make changes in the specifications, characteristics, data, materials, structures and other contents described herein at any time without notice in order to improve design or reliability. Contact ES&S in order to obtain the latest specification sheets before using any ES&S's device. Manufacturing locations are also subject to change without notice. Observe the following points when using any device in this publication. ES&S takes no responsibility for damage caused by improper use of the devices. ES&S's devices shall not be used for equipment that requires extremely high level of reliability, such as: -Military and space applications -Nuclear power control equipment -Medical equipment for life support

2. Bilder



3. Abmessung

Größe: 53,2 (L) x 56,5 (B) x 11,6 (H) (in mm)

DISCLAIMER:



DATASHEET

ADA-COMPACTFLASH-ATA-IDE40

4. Temperaturbereiche

Betriebstemperatur: -20°C bis 85°C

Lagertemperatur: -40°C bis 85°C

5. Gewicht

Gewicht ohne Verpackung: 16,3 g

Gewicht mit Verpackung: 14,1 g

ADA-COMPACTFLASH-ATA-IDE40

ES&S Oliver Reiners e.K. · Gewerbering 2 · 41751 Viersen · GERMANY · www.esskabel.de
fon: +49 (0)2162 - 266 18 0 · fax: +49 (0)2162 - 266 18 88 · info@esskabel.de

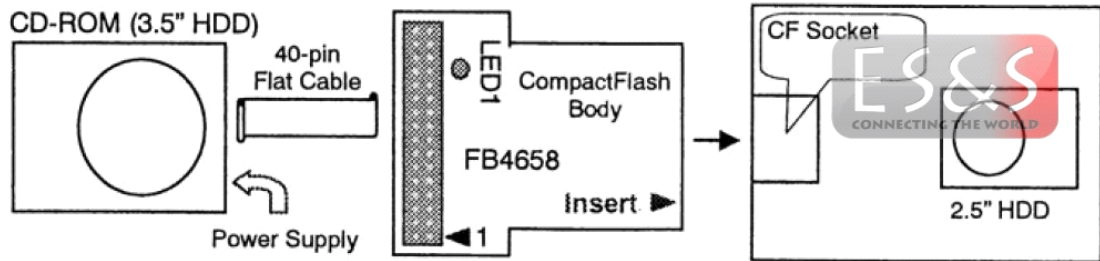
REV: 1.03 4/5
Copyright© 2010

DISCLAIMER:

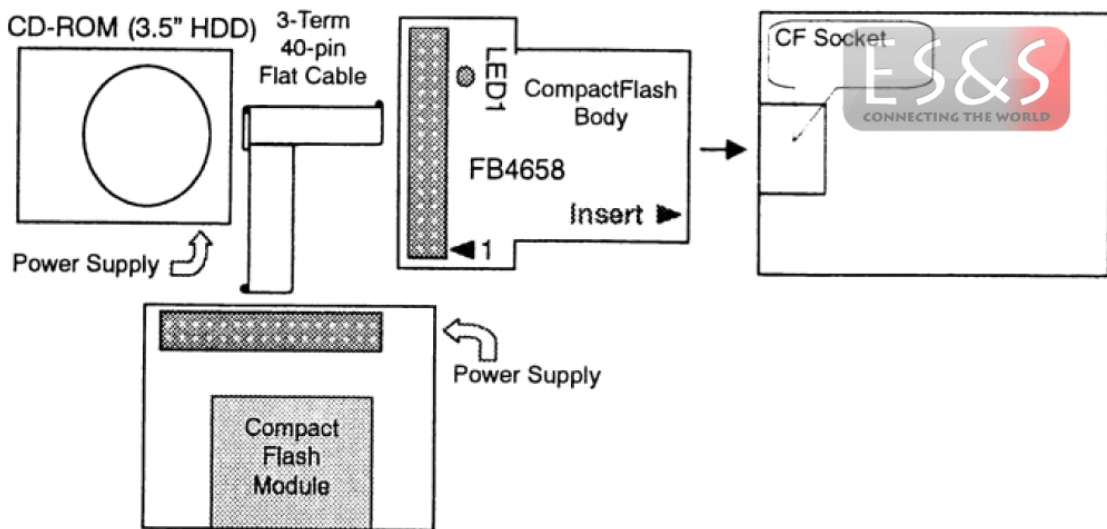
In the absence of confirmation by device specification sheets, ES&S Oliver Reiners takes no responsibility for any defects that occur in equipment using any of ES&S's devices, shown in catalogs, data books, etc. Contact ES&S in order to obtain the latest device specification sheets before using any ES&S's device. ES&S reserves the right to make changes in the specifications, characteristics, data, materials, structures and other contents described herein at any time without notice in order to improve design or reliability. Contact ES&S in order to obtain the latest specification sheets before using any ES&S's device. Manufacturing locations are also subject to change without notice. Observe the following points when using any device in this publication. ES&S takes no responsibility for damage caused by improper use of the devices. ES&S's devices shall not be used for equipment that requires extremely high level of reliability, such as: -Military and space applications -Nuclear power control equipment -Medical equipment for life support

DATASHEET

6. Installationsanleitung



Nur zur Verwendung in CompactFlash Slots, welche direkt an den internen IDE Port (vor allem in kleinen Embedded-PC-Systeme) angeschlossen sind!!!



Nur zur Verwendung in CompactFlash Slots, welche direkt an den internen IDE Port (vor allem in kleinen Embedded-PC-Systeme) angeschlossen sind!!!

DISCLAIMER:

In the absence of confirmation by device specification sheets, ES&S Oliver Reiners takes no responsibility for any defects that occur in equipment using any of ES&S's devices, shown in catalogs, data books, etc. Contact ES&S in order to obtain the latest device specification sheets before using any ES&S's device. ES&S reserves the right to make changes in the specifications, characteristics, data, materials, structures and other contents described herein at any time without notice in order to improve design or reliability. Contact ES&S in order to obtain the latest specification sheets before using any ES&S's device. Manufacturing locations are also subject to change without notice. Observe the following points when using any device in this publication. ES&S takes no responsibility for damage caused by improper use of the devices. ES&S's devices shall not be used for equipment that requires extremely high level of reliability, such as: -Military and space applications -Nuclear power control equipment -Medical equipment for life support