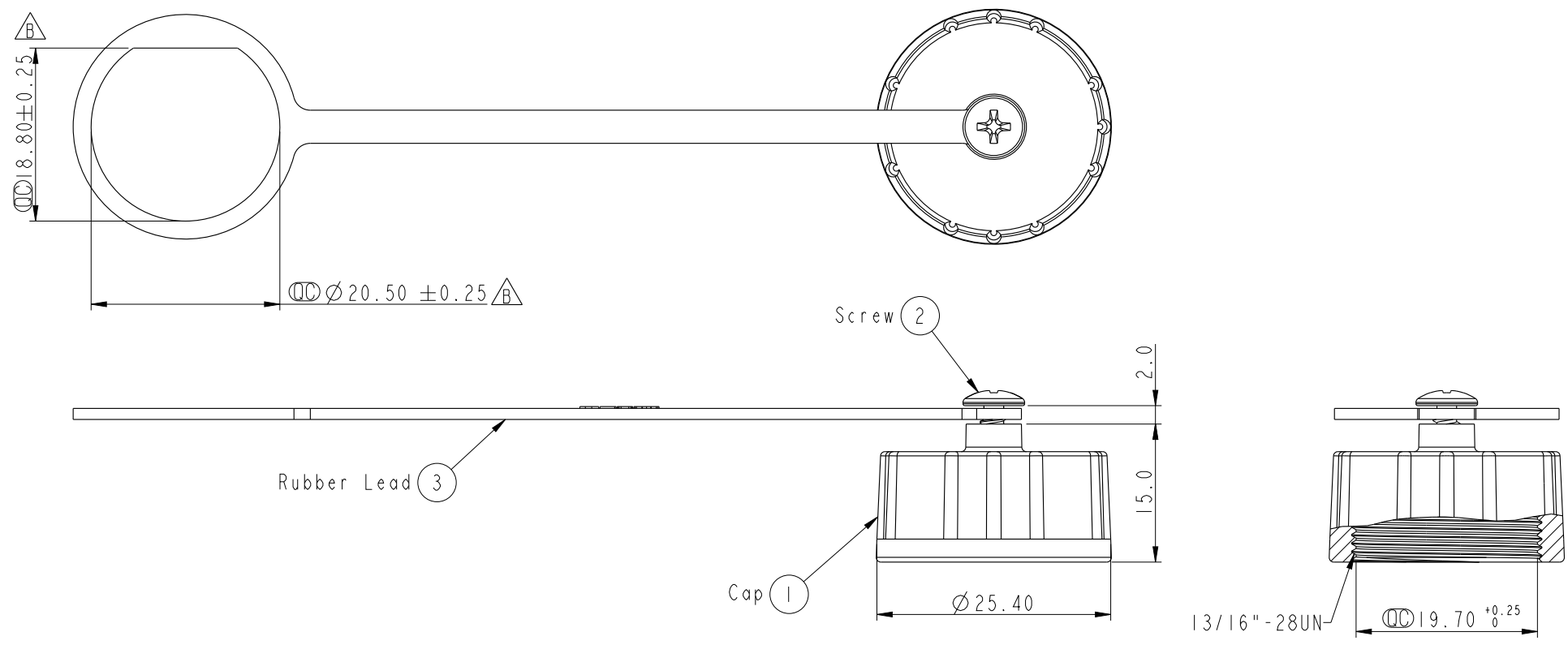


REV.	ECN NO.	DATE	SIGN	DESCRIPTION
B	LE31510470	2015/01/26	Mafei	Change The Chain Material From PVC to TPES.



Art.Nr. KAB-IP67-STAUBSCHUTZKAPPE-13/16-RUB

- Note:
- * C Important Dimension To Check.
 - * Waterproof Rate: IP67.
 - * Cap: Nylon+GF, Black.
 - * Gasket: EPDM, Black.
 - * B Rubber Lead: TPES, Black.
 - * Screw os not allowed to tight (Chain be revolve) (Rubber Lead)

UNIT: mm		TITLE Waterproof Cap For Male Conn. C Size Screw Type			 MIT SICHERHEIT VERBUNDEN	ITEM NO	DRAWN BY	DATE
		SCALE 3:2	SIZE A4	SHEET 1 OF 1		DWG NO	CHECKED BY	DATE
		REV. B	WC-REV. A.3	C : Inspection item		CUSTOMER	APPROVED BY	DATE
TOLERANCE								
.X	±0.25					Mafei	2015-01-26	
.XX	±0.1					Arthur	2015-01-26	
.XXX	±0.05					Jerry	2015-01-26	
ANGLES	±1°							