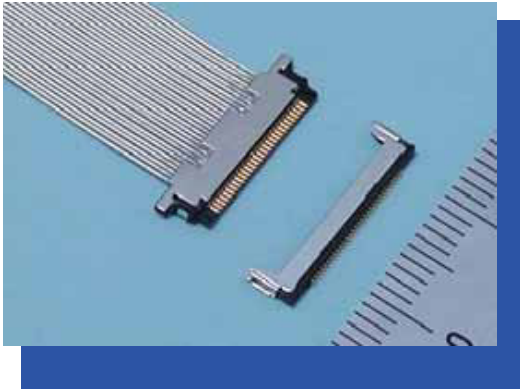


CABLIVE V

0.4mm pitch Horizontal Type



- Ultra low profile : 1.0mm maximum of mating height, Mating depth : 5.65mm, Connector width : 16.8mm (30p).
- High impedance matching and EMI performance with METAL SHELL
- Stable mating with housing lock mechanism.
- Various soldering technologies applicable.

[Number of Position]

10p,15p,25p,30p,35p,40p
(20p Under Development)

[Ordering Code]

PLUG Connector Set (for Cable)

Parts Ordering (HOUSING)

20346-0 ^{**} _① **T-02** _②

Parts Ordering (SHELL)

2047-0 ^{**} _① **1**

[Applicable Cable]

SGC	AWG #40,#42
TWINCOAX	AWG #40
DISCRETE	AWG #36

①	POS.	10:10pos. 15:15pos. 25:25pos. 30:30pos. 35:35pos. 40:40pos.
②	Packaging	T Tray

RECEPTACLE Connector Set (for PC Board)

20347-0 ^{**} _① **E-** ^{**} _② _③

①	POS.	10:10pos. 15:15pos. 25:25pos. 30:30pos. 35:35pos. 40:40pos.
②	Packaging	E Emboss Tape
③	BOSS	01 With 02 Without

[Material & Finish]

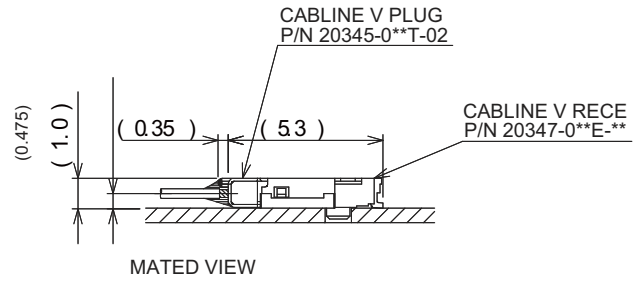
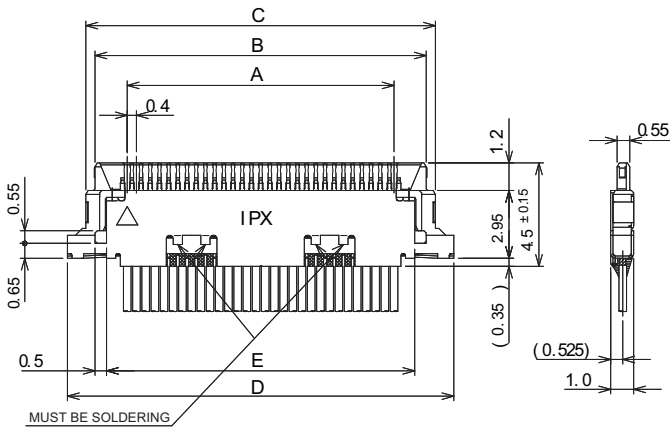
Product	Parts	Material	Plating/Color
PLUG	HOUSING	LCP UL94V-0	BLACK
	CONTACT	COPPER ALLOY	Au
	SHELL A	STAINLESS STEEL	Sn-Cu
	SHELL B	COPPER ALLOY	Sn-Cu
RECEPTACLE	HOUSING	LCP UL94V-0	BLACK
	CONTACT	COPPER ALLOY	Au
	SHELL	COPPER ALLOY	Sn-Cu

PLUG

Set P/N:20345-0**T-02

POS.	A	B	C	D	E
10p	3.6	6.4	7.2	8.8	5.4
15p	5.6	8.4	9.2	10.8	7.4
◆20p	7.6	10.4	11.2	12.8	9.4
25p	9.6	12.4	13.2	14.8	11.4
30p	11.6	14.4	15.2	16.8	13.4
35p	13.6	16.4	17.2	18.8	15.4
40p	15.6	18.4	19.2	20.8	17.4

◆ Under development



RECEPTACLE

POS.	PART NO.	A	B	C	D	E	F	G	H
10p	20347-010E-**	8.4	3.6	8.8	6.0	0.925	1.75	8.1	9.4
15p	20347-015E-**	10.4	5.6	10.8	8.0	1.05	3.5	10.1	11.4
◆20p	20347-020E-**	12.4	7.6	12.8	10.0	1.175	5.25	12.1	13.4
25p	20347-025E-**	14.4	9.6	14.8	12.0	1.3	7.0	14.1	15.4
30p	20347-030E-**	16.4	11.6	16.8	14.0	0.55	10.5	16.1	17.4
35p	20347-035E-**	18.4	13.6	18.8	16.0	0.675	12.25	18.1	19.4
40p	20347-040E-**	20.4	15.6	20.8	18.0	0.8	14.0	20.1	21.4

◆ Under Development

