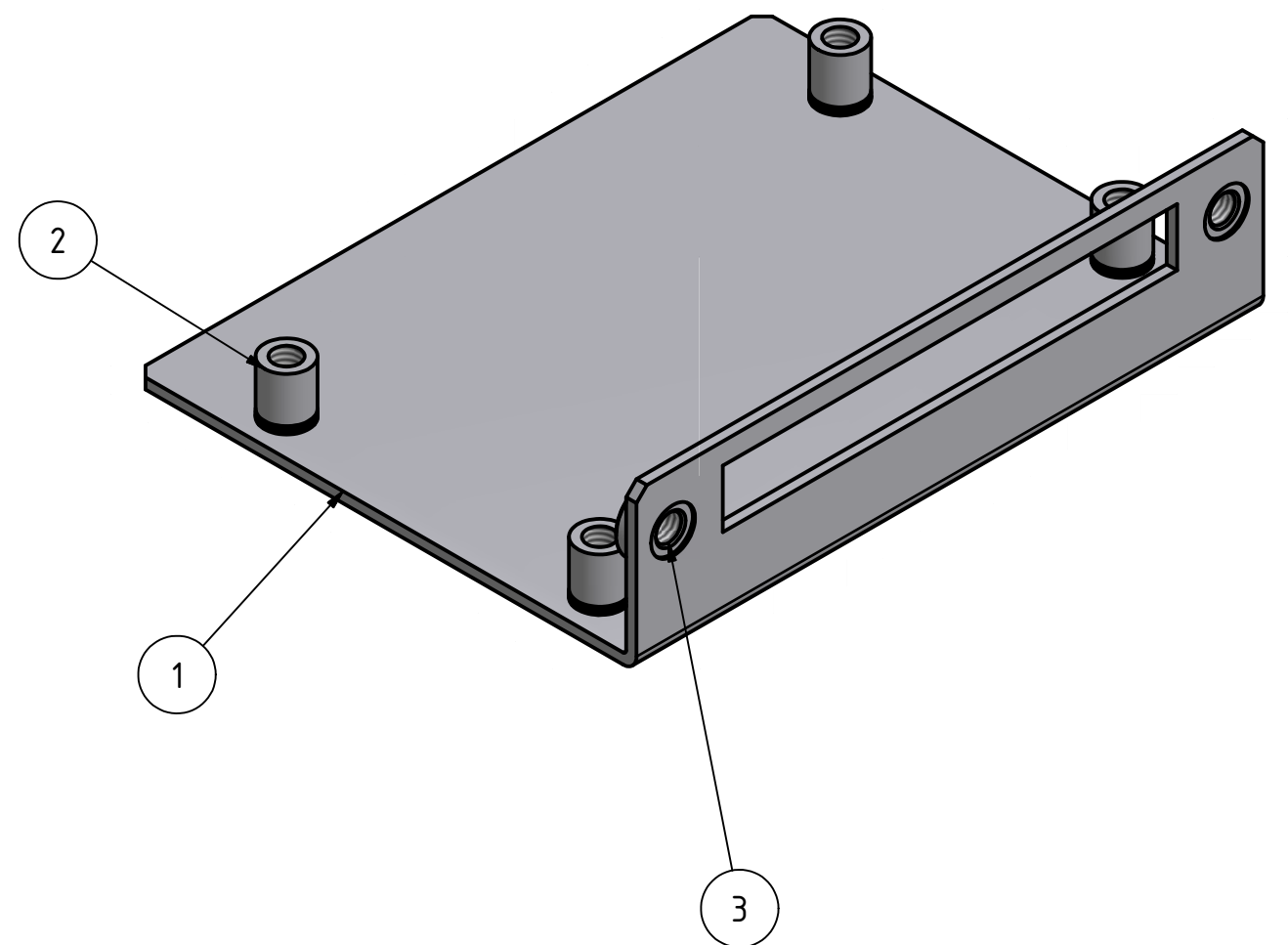
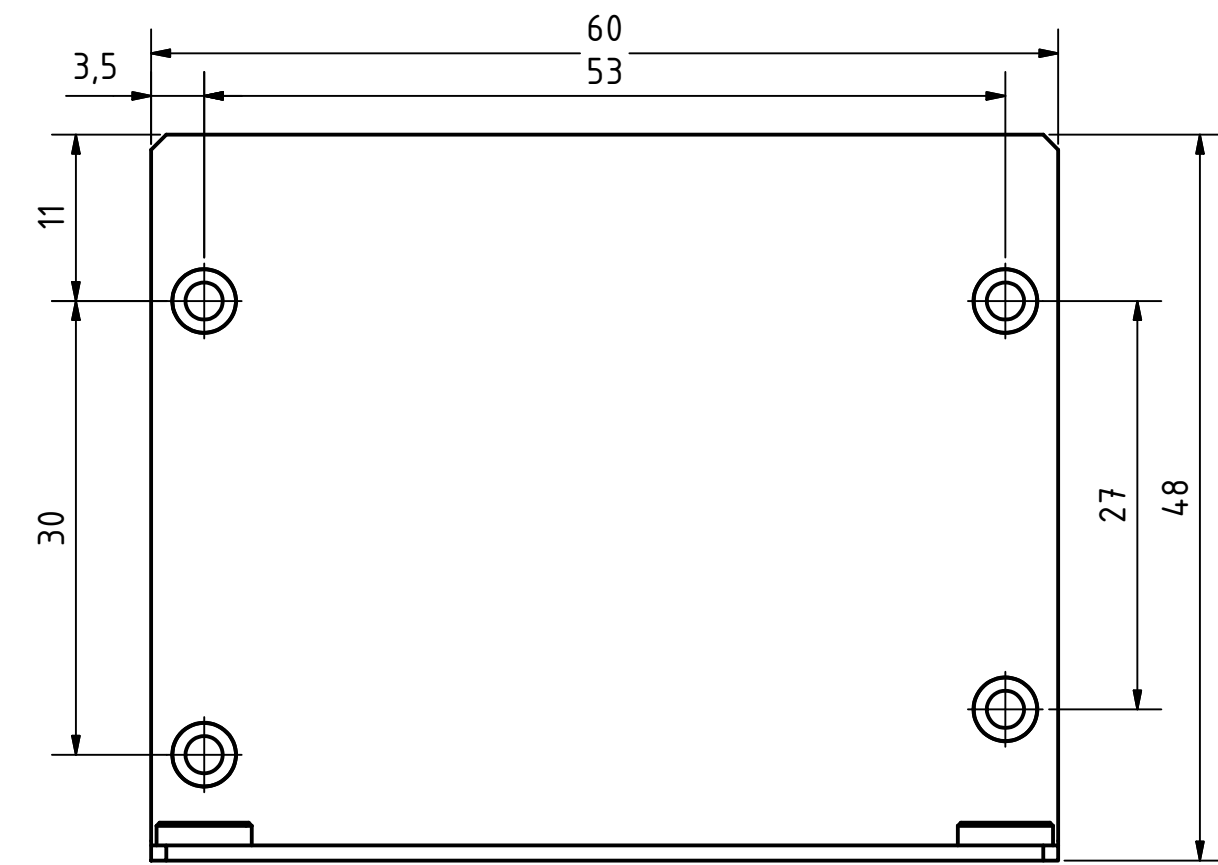
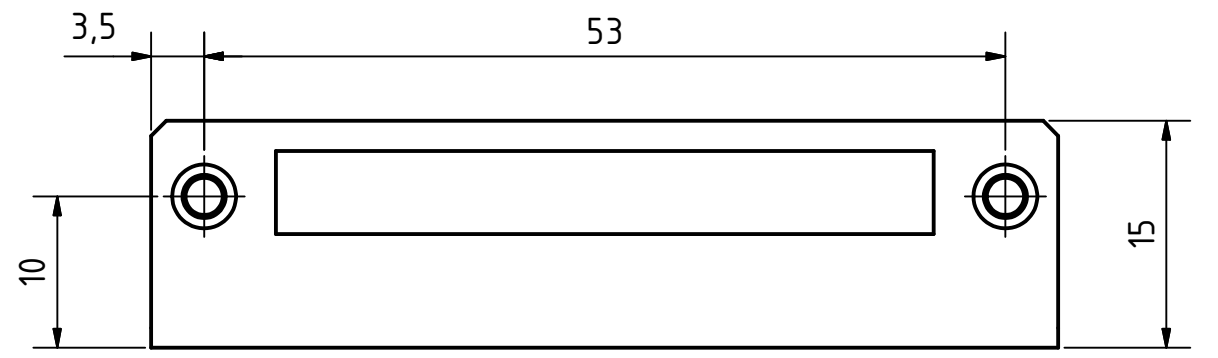


THIS DRAWING REMAINS THE PROPERTY OF MOSTRON ELEKTRONIK GMBH. WITHOUT OUR WRITTEN PERMISSION, THE DUPLICATION AND/OR EXPLOITATION IS PROHIBITED, ALSO FOR THIRD PARTIES.
(OBSERVE THE GERMAN LAW OF 09.01.1907, §15 and §17 AGAINST UNFAIR COMPETITION §16). THIS DRAWING IS SUBJECT TO CHANGE WITHOUT PRIOR NOTICE.



TEILELISTE			
OBJEKT	ANZAHL	BAUTEILNUMMER	BEZEICHNUNG
1	1	TEST	CF-BODENPLATTE
2	4	S0-M3-6 ZI	PEM Selbstsichernde Abstandsbolzen S0,S0S,S0A - Metrisch
3	2	S-M3-0 ZI	PEM Selbstsichernde Muttern S,SS,CLS,CLSS - Metrisch



THIS DRAWING REMAINS THE PROPERTY OF MOSTRON ELEKTRONIK GMBH. WITHOUT OUR WRITTEN PERMISSION, THE DUPLICATION AND/OR EXPLOITATION IS PROHIBITED, ALSO FOR THIRD PARTIES.
(OBSERVE THE GERMAN LAW OF 09.01.1907, §15 and §17 AGAINST UNFAIR COMPETITION §16). THIS DRAWING IS SUBJECT TO CHANGE WITHOUT PRIOR NOTICE.

