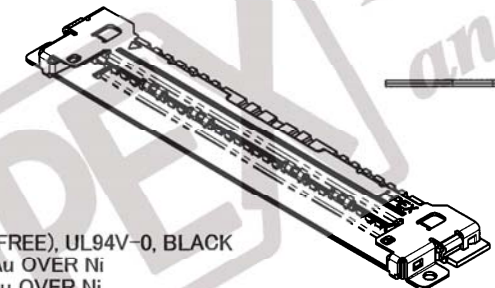
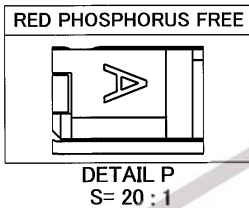
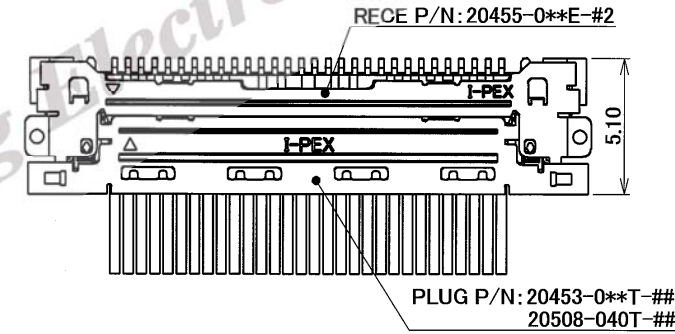
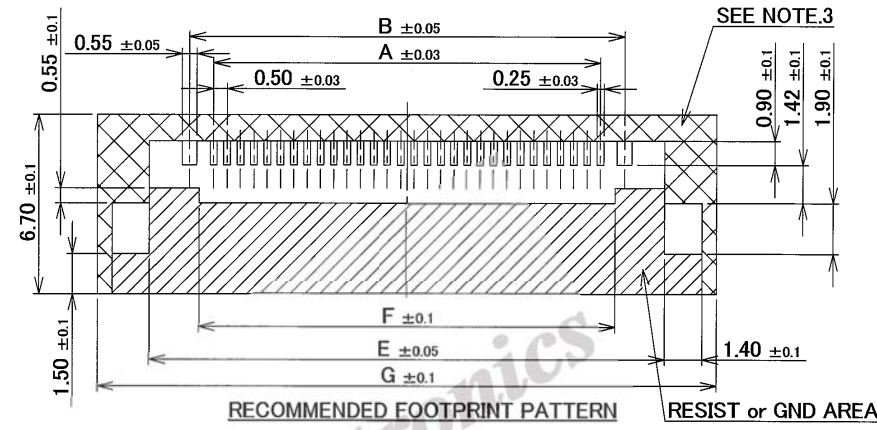
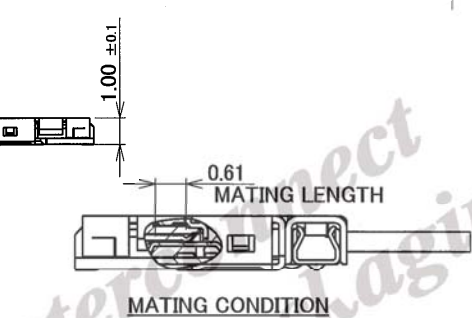
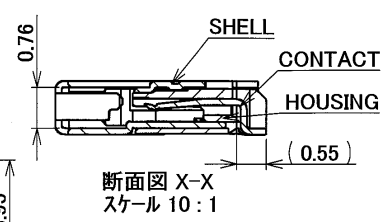
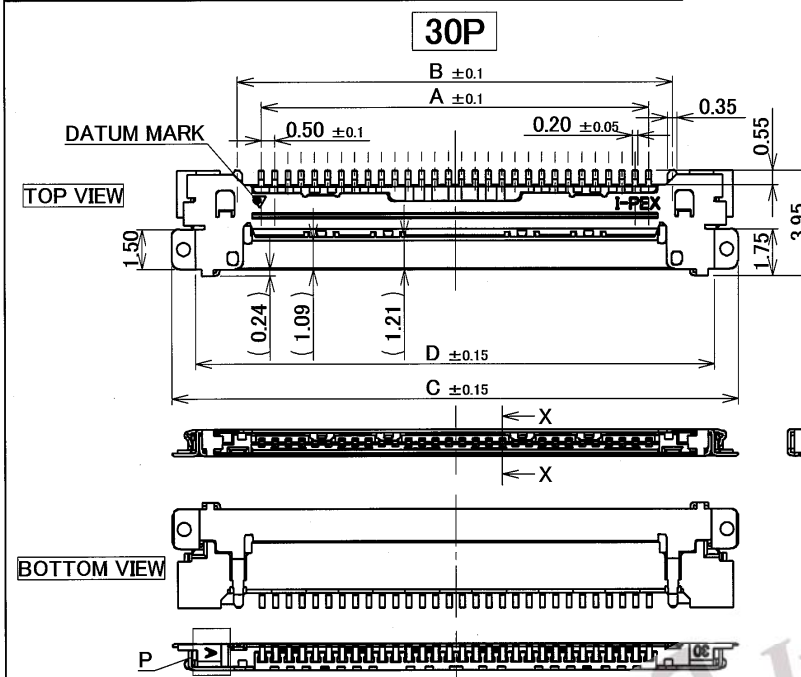


PART NO.	A	B	C	D	E	F	G
20455-020E-#2	9.50	11.30	16.25	14.47	14.30	10.60	18.20
20455-030E-#2	14.50	16.30	21.25	19.47	19.30	15.60	23.20
20455-040E-#2	19.50	21.30	26.25	24.47	24.30	20.60	28.20



**PATENT PENDING**

- NOTES.
- MATERIAL & FINISH  
HOUSING : LCP(RED PHOSPHORUS FREE), UL94V-0, BLACK  
CONTACT: PHOSPHOR BRONZE / Au OVER Ni  
SHELL : PHOSPHOR BRONZE / Au OVER Ni
  - COPLANARITY : 0.1MAX.
  - IN CASE OF PLUG WITH PULL-BAR(P/N:20453-0\*\*T-#1 or 20508-040T-#1), THIS AREA CANNOT MOUNT ANOTHER COMPONENTS.
  - TO HANDLE THIS CONNECTOR YOU MUST READ AND FOLLOW THE INSTRUCTION MANUAL BELOW.  
I-PEX TECHNICAL REPORT No. : IER-001-03230
  - RoHS Compliant
  - PRODUCT SPECIFICATION No. PRS-1427

GENERAL TOLERANCE	
6 MAX.	±0.2
6 OVER MAX. 30	±0.3
30 OVER MAX. 120	±0.5
ANGLE	±2°

P/N:20455-0\*\*E-#2  
 0 : WITH DATUM MARK  
 1 : WITHOUT DATUM MARK

**I-PEX** Interconnect and Packaging Electronics TOKYO, JAPAN

TITLE **CABLIN-VS RECE ASSY**

SCALE	UNIT	DWG. No.	SHEET	REV.
5:1	mm	20455	1/1	13