

PART NO.	POS.	A	B	C	D	E
20346-010T-##	10	3.6	6.4	7.2	8.8	5.1
20346-015T-##	15	5.6	8.4	9.2	10.8	7.1
20346-020T-##	20	7.6	10.4	11.2	12.8	9.1
20346-025T-##	25	9.6	12.4	13.2	14.8	11.1
20346-030T-##	30	11.6	14.4	15.2	16.8	13.1
20346-035T-#2	35	13.6	16.4	17.2	18.8	15.1
20346-040T-##	40	15.6	18.4	19.2	20.8	17.1

NOTES

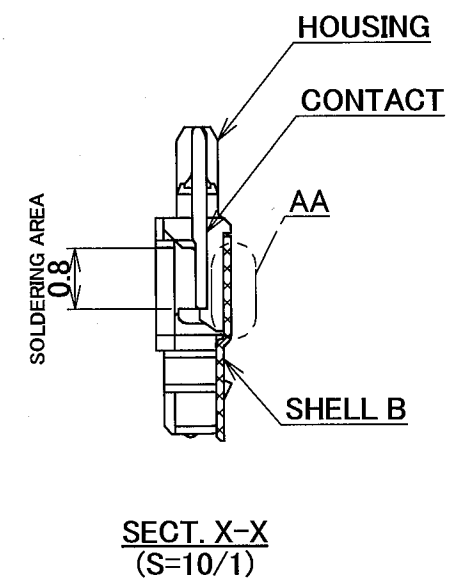
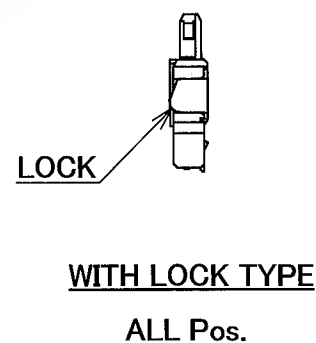
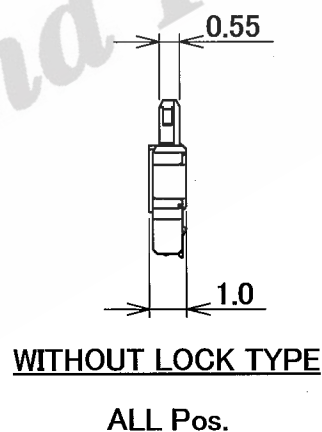
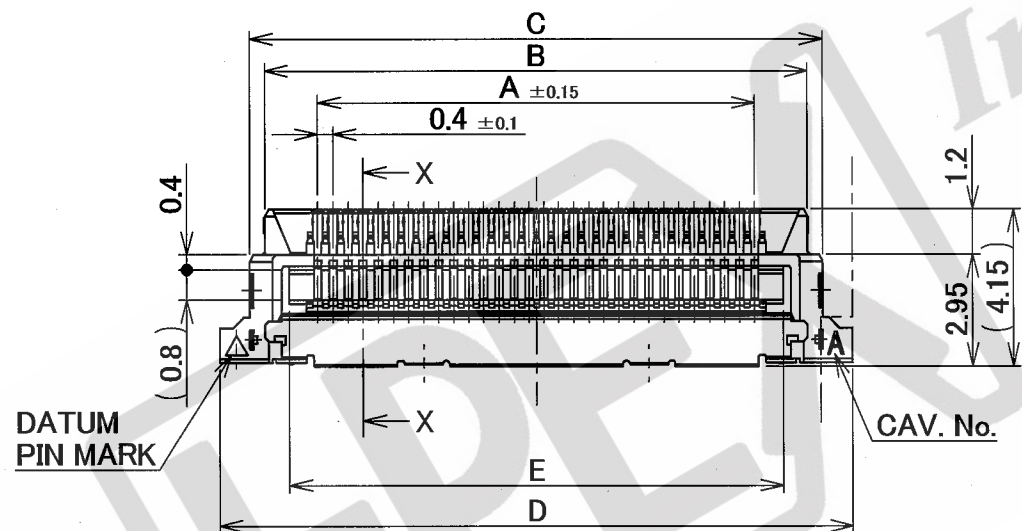
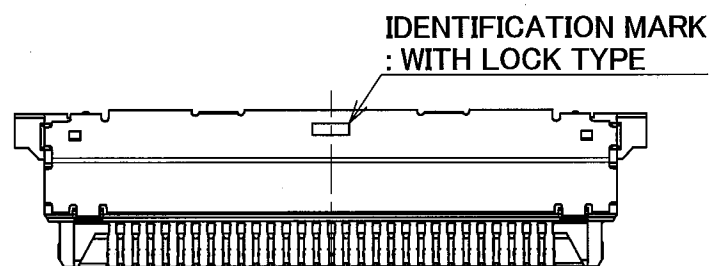
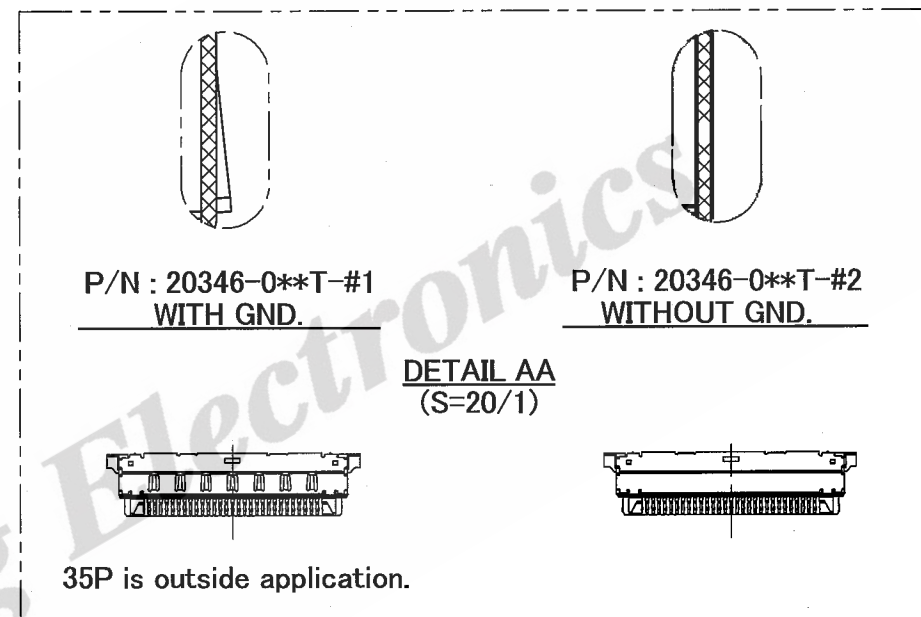
1. MATERIAL & FINISH
 HOUSING : LCP(GF REINFORCED), UL94V-0, BLACK
 CONTACT : BRASS
 Au 0.1 μm MIN. OVER Ni 1.27 μm MIN.
 SHELL B : PHOSPHOR BRONZE
 Sn-Cu or Sn 1~5 μm OVER Ni 1.27 μm MIN.
2. THIS PART IS ASSEMBLED WITH SHELL A(P/N 2047-###)
 AFTER SOLDERED THE COAXIAL CABLE, AND IT BECOMES
 P/N 20345-##T-##

※EXAMPLE

P/N : 20346-0**T-#1...WITH GND. (DETAIL AA)
 P/N : 20346-0**T-#2...WITHOUT GND. (DETAIL AA)

P/N : 20346-0**T-##

	SHELL FINISH	LOCK
0	Sn-Cu	WITHOUT
1	Sn	
2	Sn-Cu	WITH
3	Sn	



GENERAL TOLERANCE	
6 MAX.	±0.2
6 OVER MAX. 30	±0.3
30 OVER MAX. 120	±0.5
ANGLE	±2°

11	Z07146	H.M	Apr./09/07	EK	DESIGN'D BY	DATE
10	Z06687	H.M	DEC/13/06	E.K	H.MASHIMA	MAR/07/03
9	Z06613	H.M	NOV/15/06	T.H	CHK'D BY	DATE
8	Z06507	H.M	SEP/27/06	E.K	Y.H	MAR/12/03
7	Z06368	H.M	JUL/27/06	T.H	APP'D BY	DATE
REV	ECN	BY	DATE	APP	K.K	MAR/13/03
REV.RECORD				CUSTOMER COPY		PROJECTION
SERIES No.						SCALE
						UNIT
						DWG. No.
						SHEET
						REV.



Interconnect
and Packaging Electronics

TOKYO, JAPAN

TITLE
CABLIN V
PLUG HOUSING ASS'Y

SCALE
5:1

UNIT
mm

DWG. No.

20346

SHEET
1/1

REV.
11