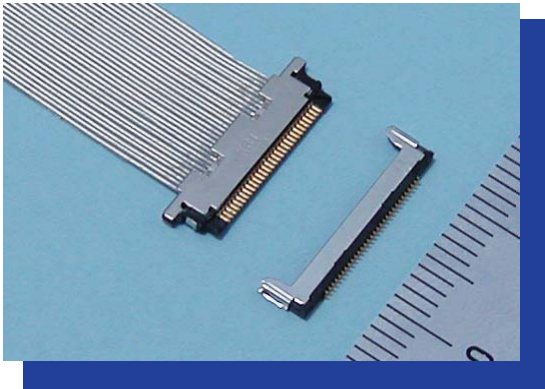


CABLINE® V

0.4mm Pitch Horizontal Type



- Ultra low profile : 1.0mm maximum of mating height
- Mating depth : 5.65mm, Connector width : 16.8mm (30p)
- Impedance matching and EMI performance with METAL SHELL
- Stable mating with housing lock mechanism.
- Soldering connection

【Number of Position】

10p, 15p, 20p, 25p, 30p, 35p, 40p

【Ordering Code】

PLUG Connector Set (for Cable)

Parts Ordering (HOUSING)

20346- 0 ** T- * 2
① ② ③

Parts Ordering (SHELL A)

2047-0 ** *
① ④

RECEPTACLE Connector Set
(for PC Board)

20347- * ** E- * *
① ② ③ ④ ⑤

【Material / Finish】

Product	Parts	Material	Plating / Color
PLUG	HOUSING	LCP UL94V-0	BLACK
	CONTACT	COPPER ALLOY	Au
	SHELL A	STAINLESS STEEL	Sn-Cu or Sn
	SHELL B	COPPER ALLOY	Sn-Cu or Sn
RECEPTACLE	HOUSING	LCP UL94V-0	BLACK
	CONTACT	COPPER ALLOY	Au
	SHELL	COPPER ALLOY	Sn-Cu or Sn

【Applicable Cable Size】

SGC	AWG #40, #42
TWINCOAX	AWG #40
DISCRETE	AWG #36

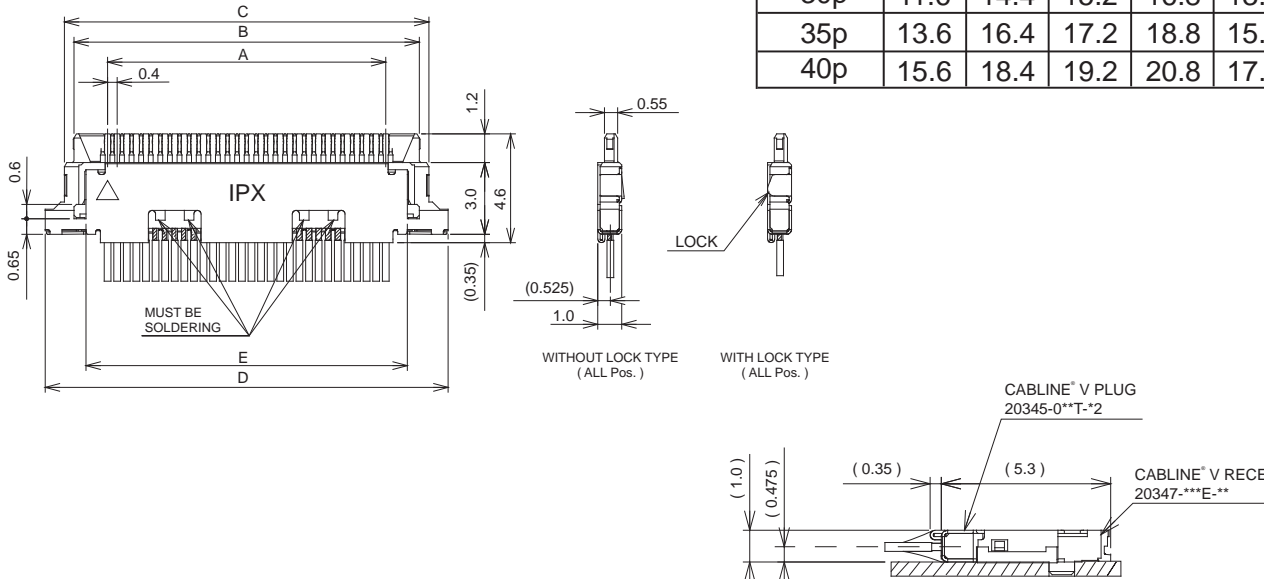
①	POS.	10:10pos. 15:15pos. 20:20pos. 25:25pos. 30:30pos. 35:35pos. 40:40pos.		
②	Packaging	T	Tray	
③	SHELL B Plating and Lock	0	Sn-Cu	Without LOCK
		1	Sn	Without LOCK
		2	Sn-Cu	With LOCK
		3	Sn	With LOCK
④	SHELL A Plating	1	Sn-Cu	
		3	Sn	

①	SHELL Plating and Lock	0	Sn-Cu	Without LOCK
		1	Sn	Without LOCK
		2	Sn-Cu	With LOCK
		3	Sn	With LOCK
②	POS.	10:10pos. 15:15pos. 20:20pos. 25:25pos. 30:30pos. 35:35pos. 40:40pos.		
③	Packaging	E	Emboss Tape	
④	Nickel Barrier	0	Without	
		1	With	
⑤	BOSS	1	With	
		2	Without	

PLUG

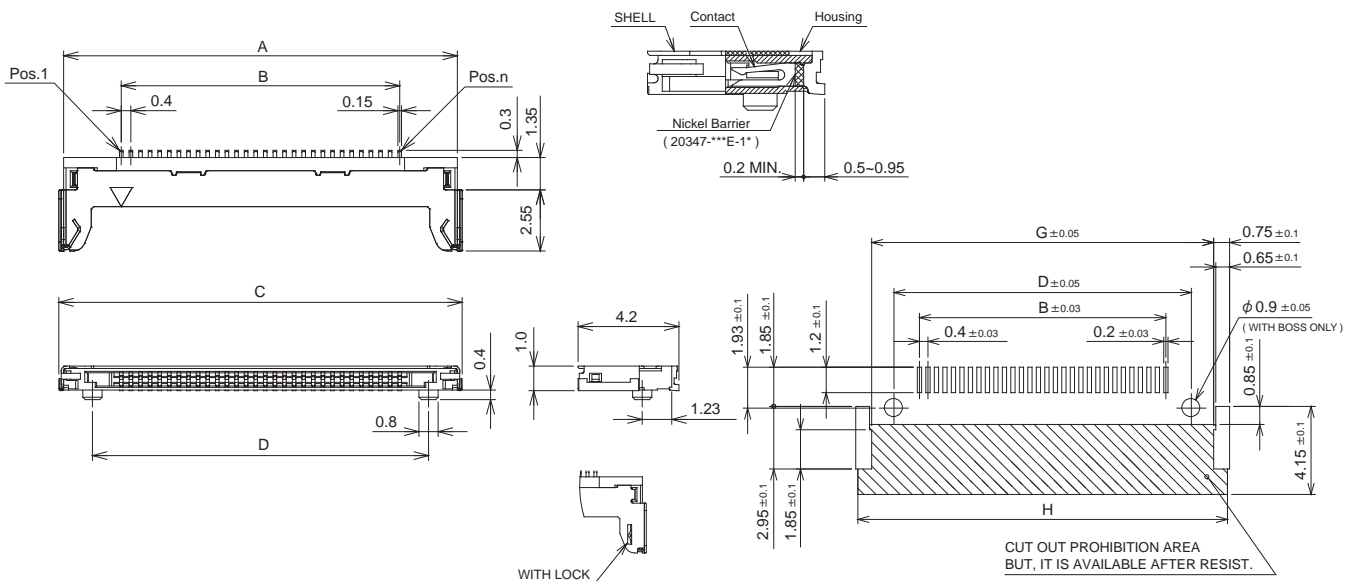
Set P/N : 20345-0**T-*2

POS.	A	B	C	D	E
10p	3.6	6.4	7.2	8.8	5.4
15p	5.6	8.4	9.2	10.8	7.4
20p	7.6	10.4	11.2	12.8	9.4
25p	9.6	12.4	13.2	14.8	11.4
30p	11.6	14.4	15.2	16.8	13.4
35p	13.6	16.4	17.2	18.8	15.4
40p	15.6	18.4	19.2	20.8	17.4



RECEPTACLE

POS.	PART NO.	A	B	C	D	G	H
10p	20347-*10E-**	8.4	3.6	8.8	6.0	8.1	9.4
15p	20347-*15E-**	10.4	5.6	10.8	8.0	10.1	11.4
20p	20347-*20E-**	12.4	7.6	12.8	10.0	12.1	13.4
25p	20347-*25E-**	14.4	9.6	14.8	12.0	14.1	15.4
30p	20347-*30E-**	16.4	11.6	16.8	14.0	16.1	17.4
35p	20347-*35E-**	18.4	13.6	18.8	16.0	18.1	19.4
40p	20347-*40E-**	20.4	15.6	20.8	18.0	20.1	21.4



RECOMMENDED PATTERN LAYOUT