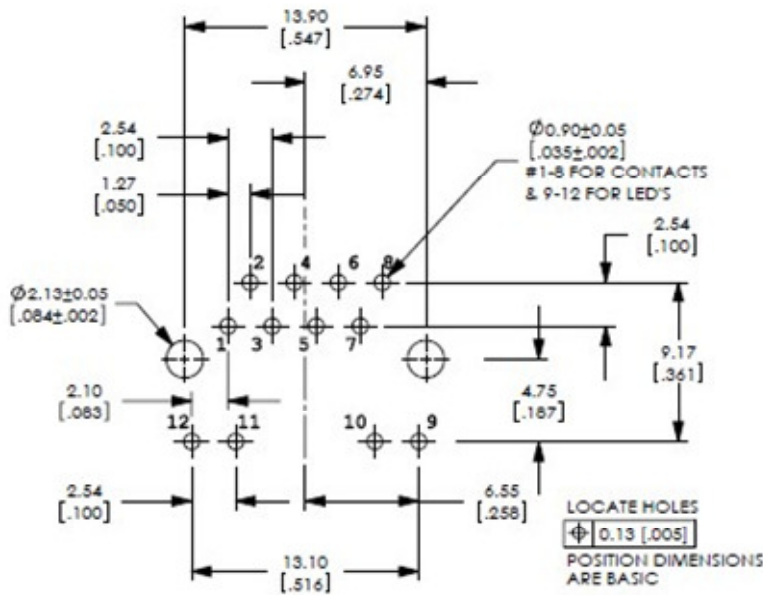
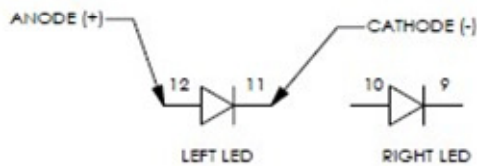


**RECOMMENDED PANEL CUTOUT**  
(FRONT OF PANEL)



**RECOMMENDED P.C.B. LAYOUT**  
(COMPONENT SIDE OF BOARD)



**LED SCHEMATIC**  
(GREEN OR YELLOW)