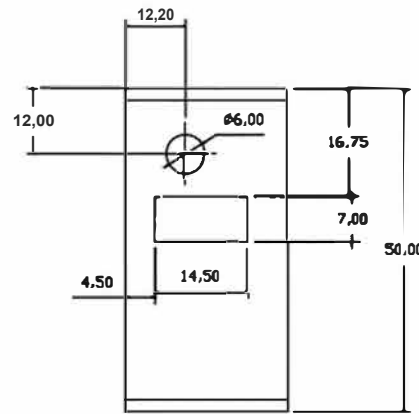
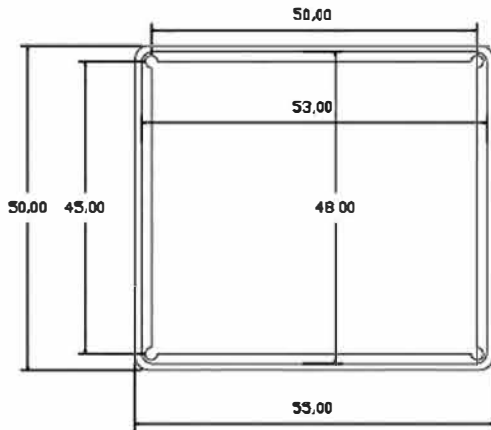
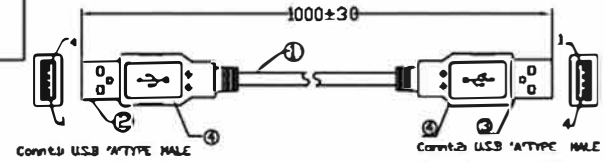
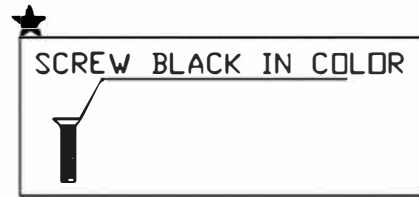
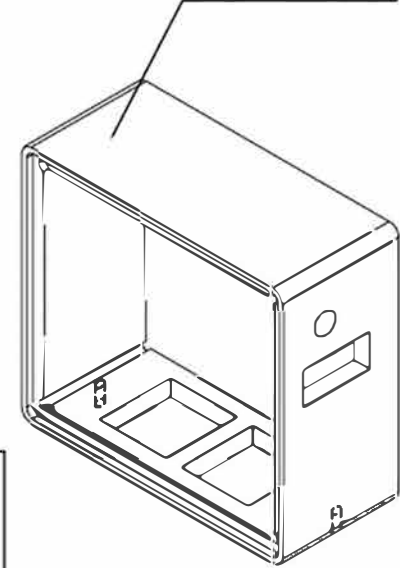


2PCS Screws on PCB board need to be added 1PC Plastic washer per each screw



BLACK IN COLOR



4	55P PVC MOLDING BLACK IN COLOR		9
3	U.S.B 'A'TYPE MALE SHELL PLATED-NICKEL CONTACT:G/F	1	set
2	U.S.B 'A'TYPE MALE SHELL PLATED-NICKEL CONTACT:G/F	1	set
1	CABLE:UL2725 28#/1P+28#/2C+AEB REV:2.0 JACKET COLOR:BLACK OD:3.5±0.1mm	1	pcs
NO.	DESCRIPTION	Q'TY	UNITS

UNLESS OTHERWISE SPECIFIED TOLERANCE	
ANG.	±5°
0.	±0.5
.0	±0.3
.00	±0.2



SCALE:	UNIT: mm
DRAWN LYCH	10/09/01
CHECKED ERIC	10/09/01

DRAWN NAME:	ADA-USB-PANEL-HUB-4-PORT
PRODUCT NO.	

A		10/09/01	APPROVED		PRODUCT NO.
REV.	DESCRIPTION	DATE	SIZE A4	REV. A	FILE NAME: