

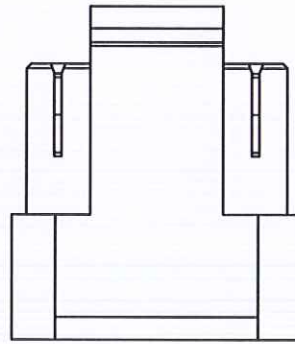
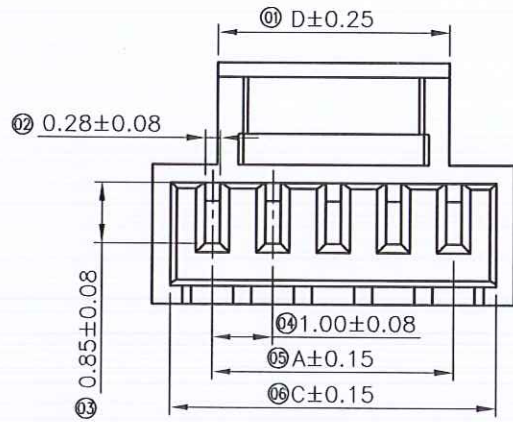
Specifications :

Voltage rating: 125V AC / DC  
 Current rating: 1A AC / DC (AWG#28-30)  
 0.5A AC / DC (AWG#32)

Withstanding voltage: 500V AC/minute  
 Temperature range: -25°C~+85°C  
 Insulation resistance: ≥100MΩ  
 Contact resistance: ≤20mΩ

After environmental testing: ≤40mΩ  
 HOUSING: PA66, UL 94V-0, NATURE.

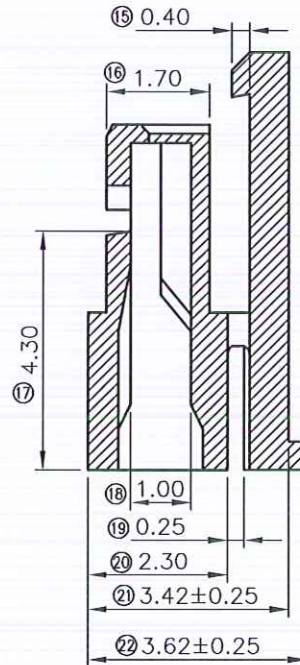
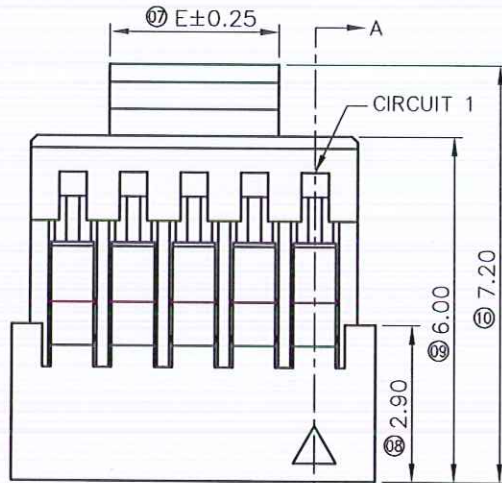
ORDER INFORMATION: H112K-D XX N -31 B  
 MATERIAL: PA66  
 1.0 HOUSING (HALOGEN-FREE)  
 PACKING: BAG  
 TYPE STANDARD



04-20P



02-03P

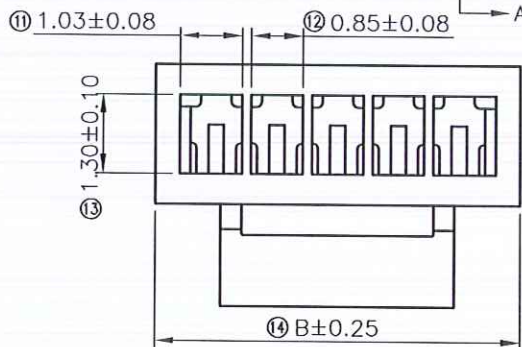


SECTION A-A  
 SCALE 1:1

ENTERY INDUSTRIAL CO., LTD.  
 SEP 14. 2017  
 R&D D.C.C. ISSUED



PIN	Dimensions (mm)				
	A	B	C	D	E
2	1.00	3.00	2.40	3.00	1.90
3	2.00	4.00	3.40	4.00	2.80
4	3.00	5.00	4.40	4.00	2.80
5	4.00	6.00	5.40	4.00	2.80
6	5.00	7.00	6.40	4.00	2.80
7	6.00	8.00	7.40	4.00	2.80
8	7.00	9.00	8.40	4.00	2.80
9	8.00	10.00	9.40	4.00	2.80
10	9.00	11.00	10.40	4.00	2.80
11	10.00	12.00	11.40	4.00	2.80
12	11.00	13.00	12.40	4.00	2.80
13	12.00	14.00	13.40	4.00	2.80
14	13.00	15.00	14.40	4.00	2.80
15	14.00	16.00	15.40	4.00	2.80
16	15.00	17.00	16.40	4.00	2.80
17	16.00	18.00	17.40	4.00	2.80
18	17.00	19.00	18.40	4.00	2.80
19	18.00	20.00	19.40	4.00	2.80
20	19.00	21.00	20.40	4.00	2.80



恩得利工業股份有限公司  
 ENTERY INDUSTRIAL CO., LTD.

DRAWN: Ceres SEP-13-2017  
 CHECKED: [Signature]  
 APPROVED: [Signature]  
 SHEET: 1/1

PART NO.: H112K-DXXN-31B  
 TITLE: 1.00 mm Crimp Style Connectors

UNIT: MM  
 SCALE: 8:1  
 SIZE: A4  
 REV: A

REVISIONS	CHK	DATE
PA17041	Ceres	09/13/17

GENERAL TOLERANCE  
 UNLESS OTHERWISE SPECIFIED  
 X.X ±0.30  
 X.XX ±0.20  
 X.XXX ±0.10