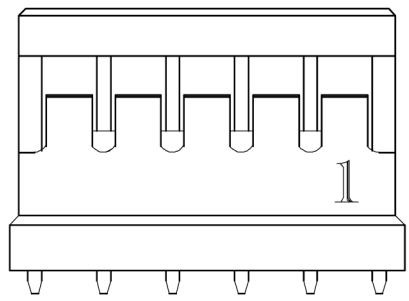
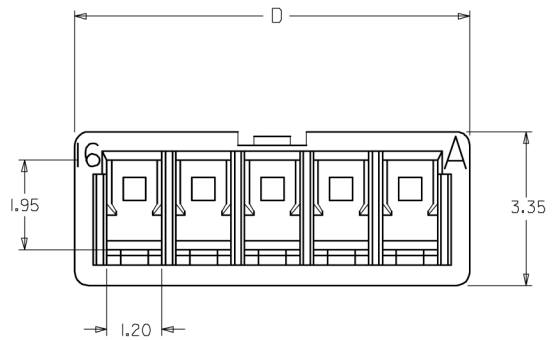
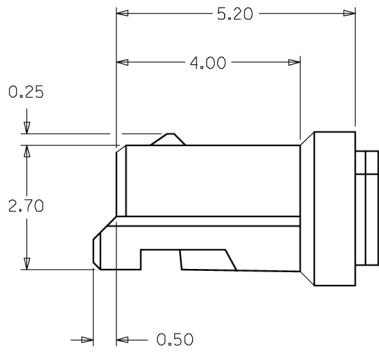
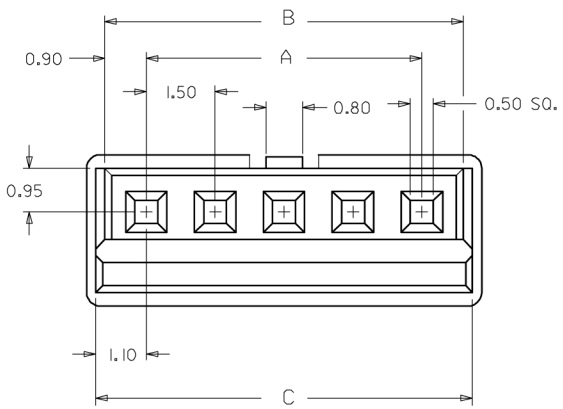


8 7 6 5 4 3 2 1

DWG. NO. SD 87439-***00


CAD FILE S87439.DGN

PART NO.	NO. OF CKT'S	A	B	C	D
87439-0200	2	1.50	3.30	3.70	4.10
87439-0300	3	3.00	4.80	5.20	5.60
87439-0400	4	4.50	6.30	6.70	7.10
87439-0500	5	6.00	7.80	8.20	8.60
87439-0600	6	7.50	9.30	9.70	10.10
87439-0700	7	9.00	10.80	11.20	11.60
87439-0800	8	10.50	12.30	12.70	13.10
87439-0900	9	12.00	13.80	14.20	14.60
87439-1000	10	13.50	15.30	15.70	16.10
87439-1100	11	15.00	16.80	17.20	17.60
87439-1200	12	16.50	18.30	18.70	19.10
87439-1300	13	18.00	19.80	20.20	20.60
87439-1400	14	19.50	21.30	21.70	22.10
87439-1500	15	21.00	22.80	23.20	23.60



NOTE: HOUSING TO ACCEPT MOLEX P/N 87421-0000

DIM.=mm

				MATERIAL : NYLON 66, 94V-0 COLOR: NATURAL				GENERAL TOLERANCES ± 0.20/.008		REV A7
				FINISH : NOT APPLICABLE				DWG. NO. SD 87439-***00		TITLE : 1.50 mm PITCH, HOUSING, RECEPTACLE
A7	REVISED PER ECN# S2000-0305	-	LING	TOH	000222	DRAWN BY JDK 940328		CHK'D BY SK TOH 940421		SCALE NTS
A6	REVISED PER ECN# S1998-0451	-	LING	TOH	980323	APPR'D BYR WONG 940421				
A5	REVISED PER ECN# S1998-0402	-	LING	TOH	980303					
A4	REVISED PER ECN#	S70107	LING	TOH	960909					
LTR	REVISION RECORD	ECN	DR	CHK	DATE					
REVISE ONLY ON CAD SYSTEM										

DO NOT SCALE DRAWING

THIS DRAWING CONTAINS INFORMATION THAT IS PROPRIETARY TO MOLEX (S)PTE LTD AND SHOULD NOT BE USED WITHOUT WRITTEN PERMISSION

A3	REVISED PER ECN#	S60591	LING	TOH	960619
A2	REVISED PER ECN#	S60427	LING	POH	960311
A1	REVISED PER ECN#	S50567	LING	POH	950525
A	REVISED PER ECN#	S50336	LING	POH	950306
3	REVISED PER ECN#	S50086	LING	POH	940914
2	REVISED PER ECN#	S40529	LING	TOH	940512
1	PRELIMINARY RELEASE	S40480	JDK	TOH	940328