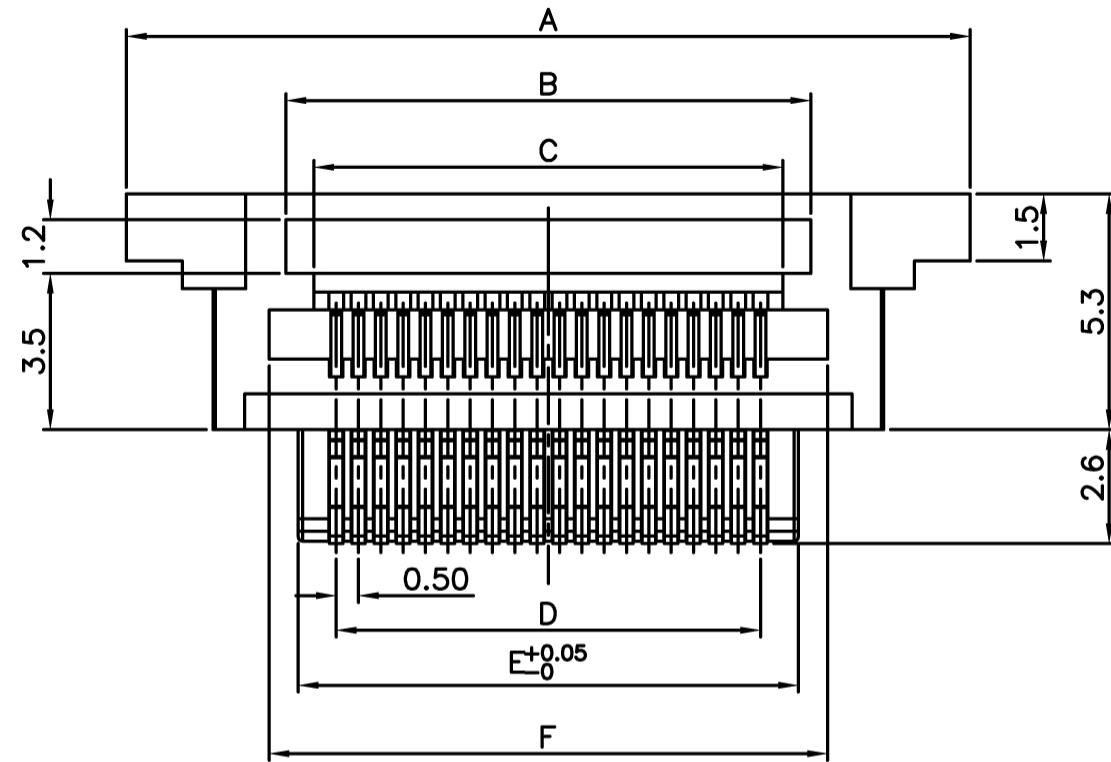


CKT	A	B	C	D	E	F
20	18.9	11.75	10.5	9.50	11.20	12.5
30	23.9	16.75	15.5	14.50	16.20	17.5
40	28.9	21.75	20.5	19.50	21.20	22.5



NOTES:

1. MATERIAL:

- 1.1 HOUSING: HALOGEN FREE PLASTIC, HIGH TEMP.,
- 1.2 CONTACT: COPPER ALLOY
- 1.3 PLUG COVER: COPPER ALLOY

2. FINISH:

- 2.1 CONTACT:
GOLD FLASH(1~3u") PLATING OVERALL
50" MIN. NICKEL UNDERPLATING OVERALL.
- 2.2 PLUG COVER:
50u" MIN. TIN PLATING ON SOLDER TAILS.
50u" MIN. NICKEL UNDERPLATING OVERALL.

- 3. SPEC. PLS. REFER TO PS-50203-XXXXX-XXX
- 4. PACKAGE PLS. REFER TO 88441-TB

5. PART NUMBER

P/N LEGEND

50204-XXX X X-XXX

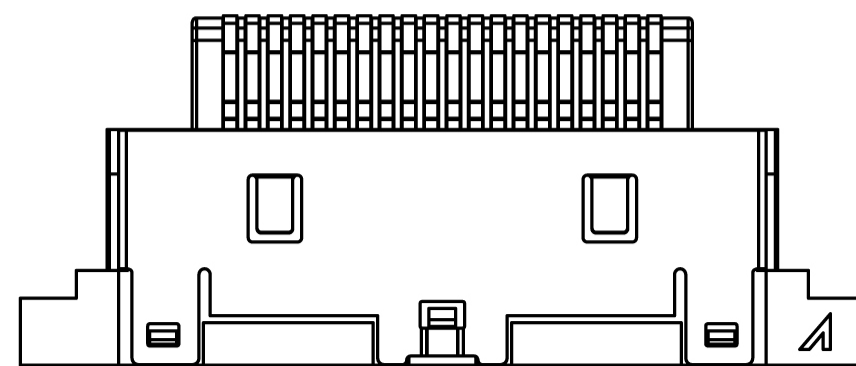
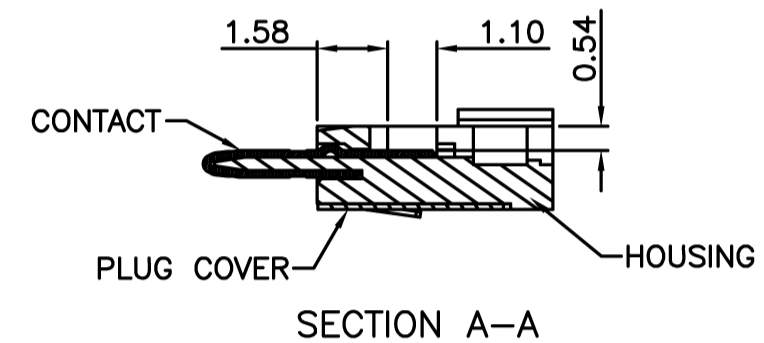
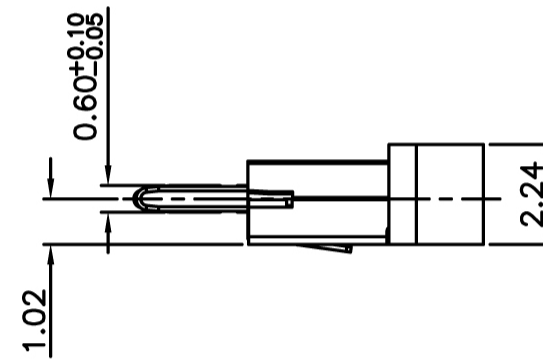
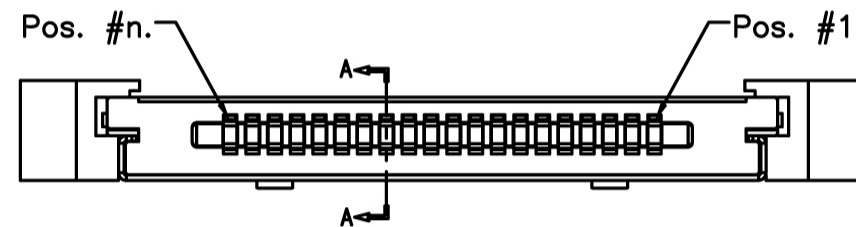
NO OF CKT

PACKING

1:TUBE

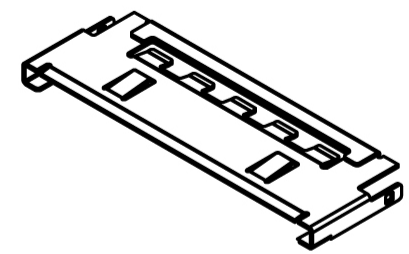
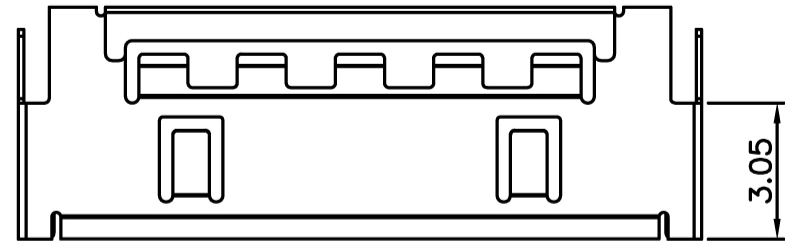
NO.	HOUSING COLOR	Halogen Free
001	BLACK	Y
002	WHITE	Y

PLATING
1: G/F (1~3u") PLATING
OVERALL.(LEAD FREE)

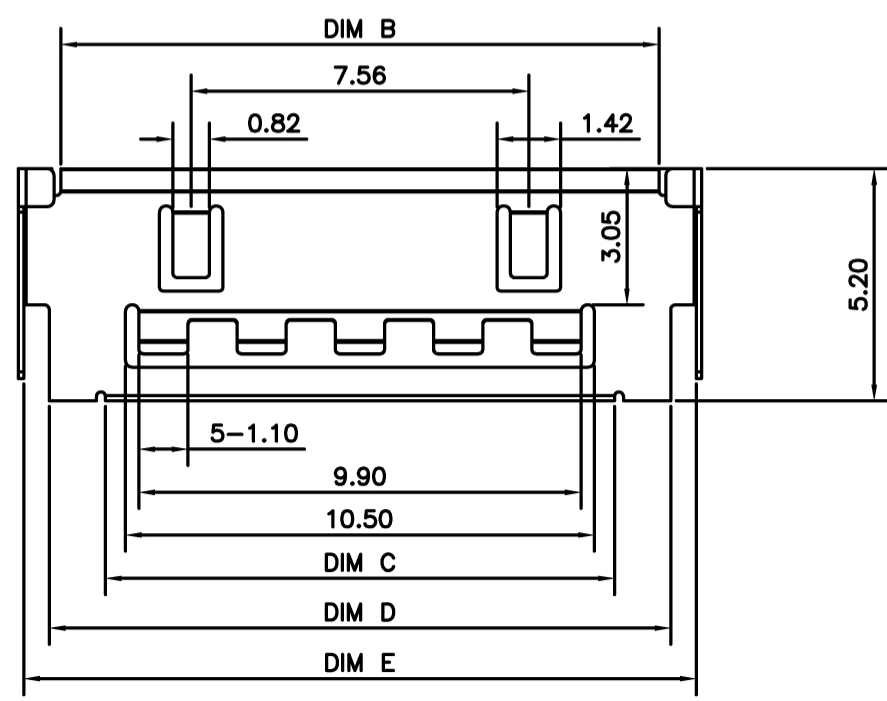
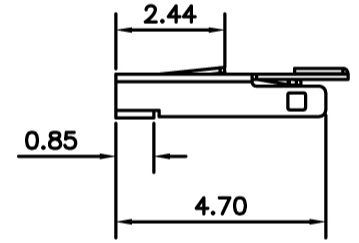
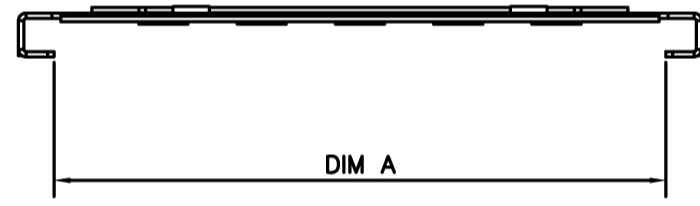
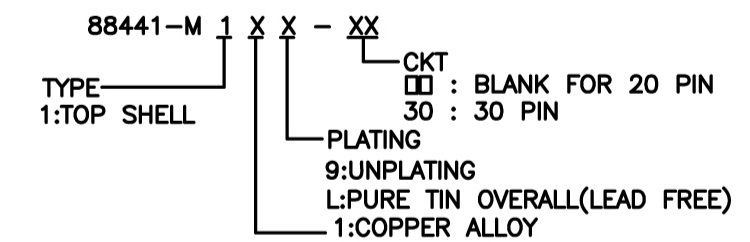


一般公差 TOLERANCES X ±0.5 XX ±0.15 X ±0.25 XXX ±0.1 ANGLES ±2°			
檢驗尺寸標示 SYMBOLS Ⓢ Ⓣ INDICATE CLASSIFICATION DIMENSION Ⓢ MARK IS CRITICAL DIM. Ⓣ MARK IS MAJOR DIM.	品名 (TITLE) 0.5mm PITCH WTB Coax. CONN	製圖 (DR) 11/11/15 SKY 審核 (CHKD) Sam	
表面處理 (FINISH)	圖號 (DWG.NO) 50204-XXXXX-XXX	核准 (APPD) JASON	
	比例 (SCALE) 單位 (UNITS) 4:1 mm	張數 (SHEET) 1 OF 4	尺寸 (SIZE) 版次 (REV) A4 F1

A | B | C | D | E | F



- NOTES:
 1. MATERIAL: COPPER ALLOY, THICKNESS 0.12±0.01
 2. PLATING
 50u" MIN. NICKEL PLATING ON THE BOTTOM LAYER.
 50u" MIN. MATTING TIN(LEAD FREE) PLATING ON OVERALL.
 3. PACKAGE: 10K/REEL; NEED MARKING PART NO, PART NAME, DATECODE
 4. PART NUMBER

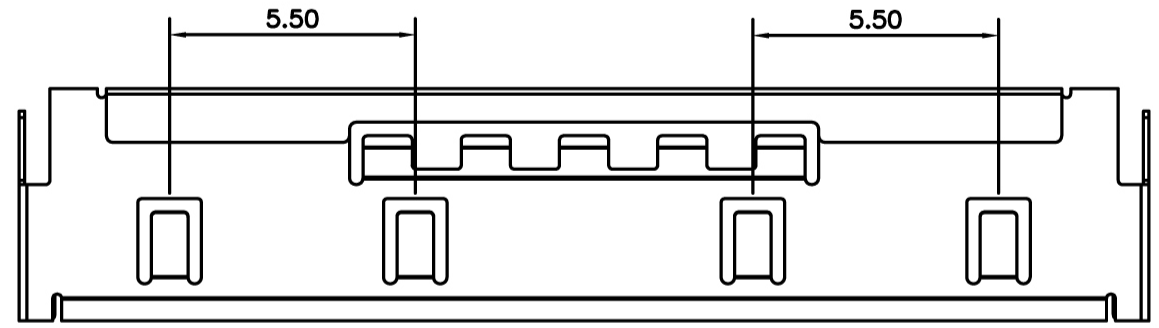


CKT	A	B	C	D	E
20	13.70	13.40	11.40	13.92	15.06
30	18.70	18.40	16.40	18.92	20.06

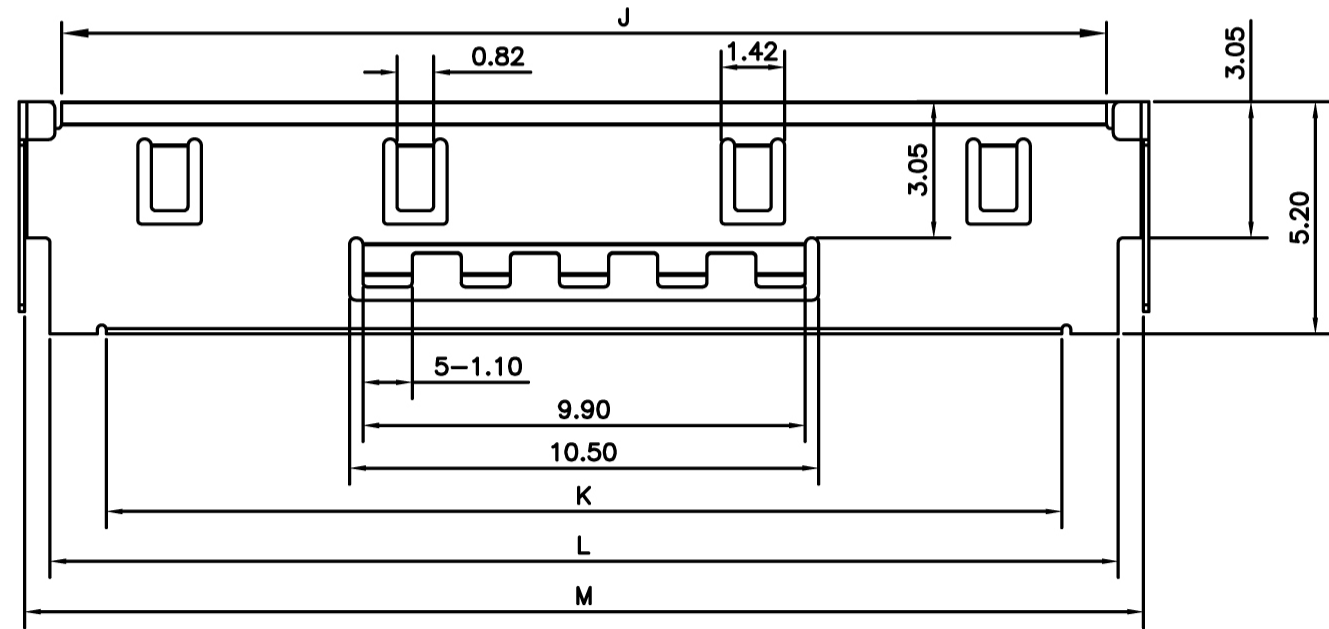
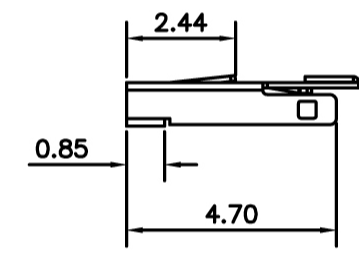
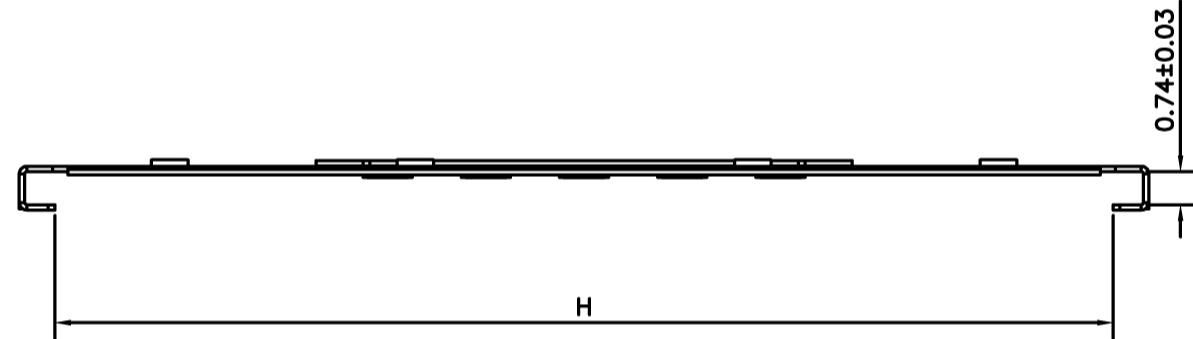
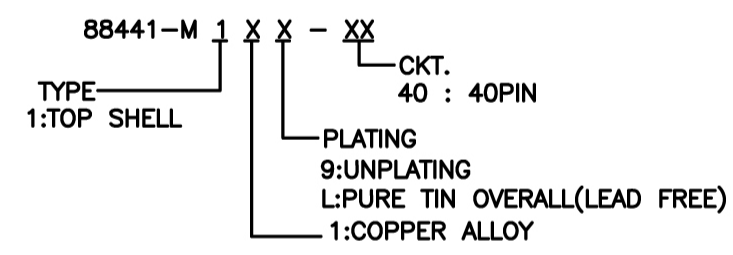
一般公差 TOLERANCES X ±0.5 XX ±0.15 X ±0.25 XXX ±0.1 ANGLES ±2°			
檢驗尺寸標示 SYMBOLS Ⓢ Ⓣ INDICATE CLASSIFICATION DIMENSION Ⓢ MARK IS CRITICAL DIM. Ⓣ MARK IS MAJOR DIM.	品名 (TITLE) 0.5mm PITCH WTB Coax. CONN	製圖 (DR) 11'/11/15 SKY 審核 (CHKD) Sam	圖號 (DWG.NO) 50204-XXXXX-XXX 核准 (APPD) JASON
表面處理 (FINISH)	比例 (SCALE) 4:1	單位 (UNITS) mm	張數 (SHEET) 2 OF 4 尺寸 (SIZE) A4 版次 (REV) F1

A | B | C | D | E | F






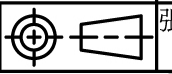
A B C D E F



- NOTES:
 1. MATERIAL: COPPER ALLOY, THICKNESS 0.12±0.01
 2. PLATING
 50u" MIN. NICKEL PLATING ON THE BOTTOM LAYER.
 50u" MIN. MATTING TIN(LEAD FREE) PLATING ON OVERALL.
 3. ONLY FOR 40 POS.
 4. PART NUMBER



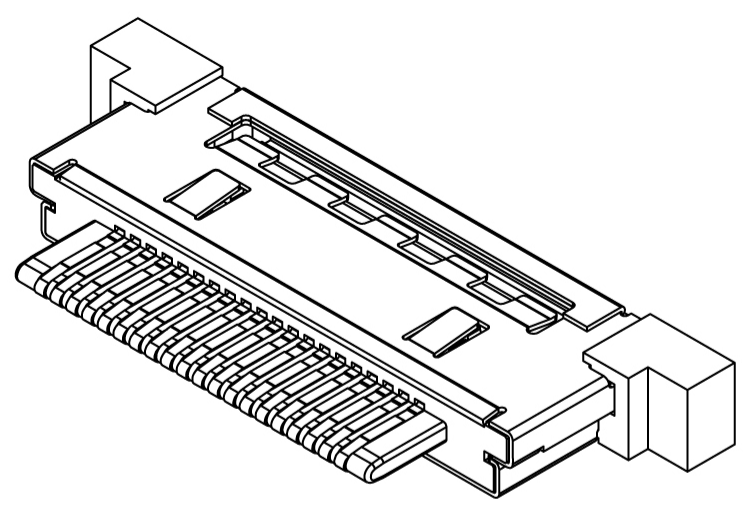
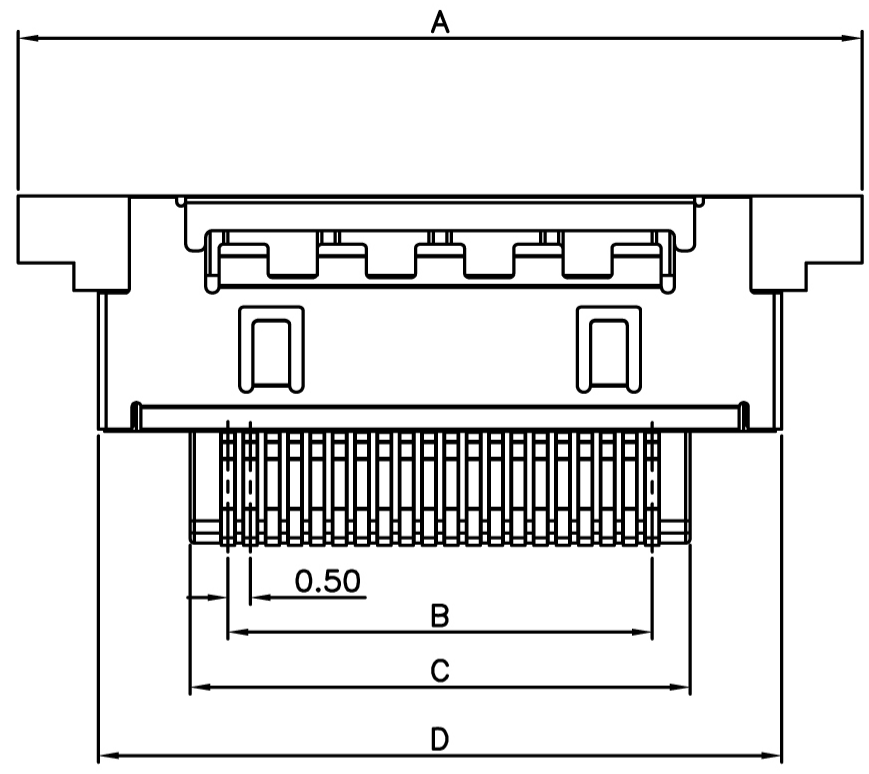
CKT	H	J	K	L	M
40	23.70	23.40	21.40	23.92	25.06

一般公差 TOLERANCES X ±0.5 XX ±0.15 X ±0.25 XXX ±0.1 ANGLES ±2°		 CONNECTING THE WORLD	
檢驗尺寸標示 SYMBOLS   INDICATE CLASSIFICATION DIMENSION  MARK IS CRITICAL DIM.  MARK IS MAJOR DIM.	品名 (TITLE) 0.5mm PITCH WTB Coax. CONN	製圖 (DR) 11'/11/15 SKY 審核 (CHKD) Sam	
	圖號 (DWG.NO) 50204-XXXXX-XXX	核准 (APPD) JASON	
表面處理 (FINISH)	比例 (SCALE) 4:1	單位 (UNITS) mm	張數 (SHEET) 3 OF 4
			尺寸 (SIZE) A4
			版次 (REV) F1

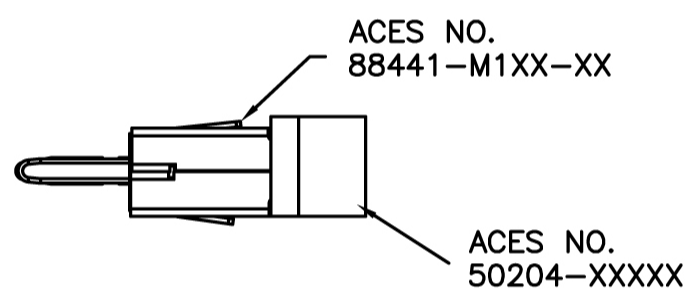
A B C D E F

A B C D E F

CKT	A	B	C	D
20	18.9	9.5	11.20	15.30
30	23.9	14.5	16.20	20.30
40	28.9	19.5	21.20	25.30



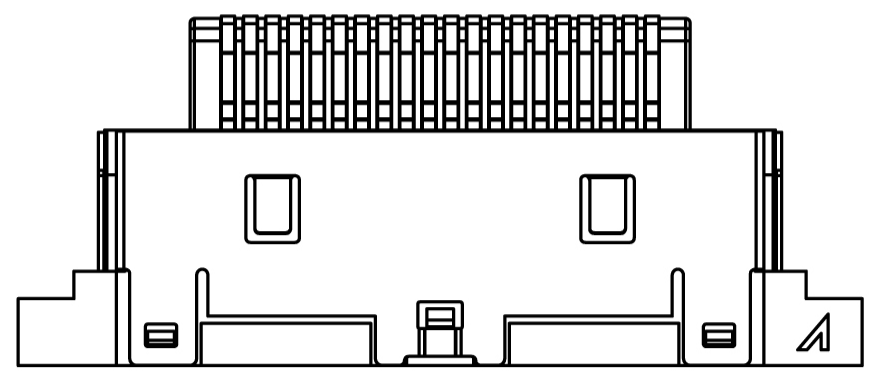
- NOTES:
- MATERIAL:
 - HOUSING: LCP ; UL94V-0; COLOR:NATURAL.
 - CONTACT: COPPER ALLOY
 - PLUG COVER: COPPER ALLOY
 - FINISH:
 - CONTACT:
 - GOLD FLASH(1~3u") PLATING OVERALL
 - 50u" MIN. NICKEL UNDERPLATING OVERALL.
 - PLUG COVER:
 - 50u" MIN. TIN PLATING ON SOLDER TAILS.
 - 50u" MIN. NICKEL UNDERPLATING OVERALL.
 - SPEC. PLS. REFER TO PS-50203-XXXX
 - PACKAGE PLS. REFER TO 88441-TB



5. PART NUMBER

A-50204-XXX X X

- CONTACT PLATING
1: G/F (1~3u") PLATING OVERALL.(LEAD FREE)
- PACKING
1:TUBE
- NO OF CKT
- ASSEMBLY NUMBER



一般公差 TOLERANCES X ±0.5 .XX ±0.15 X ±0.25 .XXX ±0.1 ANGLES ±2°			
檢驗尺寸標示 SYMBOLS Ⓢ Ⓣ INDICATE CLASSIFICATION DIMENSION Ⓢ MARK IS CRITICAL DIM. Ⓣ MARK IS MAJOR DIM.	品名 (TITLE) 0.5mm PITCH WTB Coax. CONN	製圖 (DR) 11'/11/15 SKY 審核 (CHKD) Sam	
表面處理 (FINISH)	圖號 (DWG.NO) 50204-XXXXX-XXX	核准 (APPD) JASON	
	比例 (SCALE) 單位 (UNITS) 4:1 mm	張數 (SHEET) 4 OF 4	尺寸 (SIZE) 版次 (REV) A4 F1

A B C D E F