



DATASHEET
KAB-IP67-USB-A-F-USB-A-M-1000RK

KAB-IP67-USB-A-F-USB-A-M-1000RK



IP67 Kabelkonfektion mit Steckverbinder USB-A female und USB-A male

ES&S Solutions GmbH · Gewerbering 2 · 41751 Viersen · GERMANY · www.esskabel.de
fon: +49 (0)2162 - 266 18 0 · fax: +49 (0)2162 - 266 18 88 · info@esskabel.de

REV: 1.00 1/4
Copyright© 2016

DISCLAIMER:

In the absence of confirmation by device specification sheets, ES&S Solutions GmbH takes no responsibility for any defects that occur in equipment using any of ES&S's devices, shown in catalogs, data books, etc. Contact ES&S in order to obtain the latest device specification sheets before using any ES&S's device. ES&S reserves the right to make changes in the specifications, characteristics, data, materials, structures and other contents described herein at any time without notice in order to improve design or reliability. Contact ES&S in order to obtain the latest specification sheets before using any ES&S's device. Manufacturing locations are also subject to change without notice. Observe the following points when using any device in this publication. ES&S takes no responsibility for damage caused by improper use of the devices. ES&S's devices shall not be used for equipment that requires extremely high level of reliability, such as: -Military and space applications -Nuclear power control equipment -Medical equipment for life support

KAB-IP67-USB-A-F-USB-A-M-1000RK

DATASHEET



DATASHEET

KAB-IP67-USB-A-F-USB-A-M-1000RK

1. Funktionale Beschreibung

USB (Typ A) female mit Schutzklasse IP67 und einen 1060 mm langen Anschlusskabel an USB Type A male ohne Schutzklasse (normaler PC-Typ). Bestens geeignet zur Nutzung als Verlängerung in Industriellen Anwendungen.

KAB-IP67-USB-A-F-USB-A-M-1000RK

Technische Daten:

- Seite 1: IP67 USB Typ A female inkl. Mutter und Dichtung, vorne verschraubbar
- Seite 2: USB Typ A male
- Kabel, schwarz, AWG28x1-AWG24x2C+AL+D+B, AD = 5.00 mm
- USB 2.0
- Länge 1060 mm

Weitere Längen verfügbar:

KAB-IP67-USB-A-F-USB-A-M-0400RK = 400 mm Länge

KAB-IP67-USB-A-F-USB-A-M-0560RK = 560 mm Länge

KAB-IP67-USB-A-F-USB-A-M-1400RK = 1400 mm Länge

KAB-IP67-USB-A-F-USB-A-M-2000RK = 2000 mm Länge

KAB-IP67-USB-A-F-USB-A-M-4200RK = 4200 mm Länge

KAB-IP67-USB-A-F-USB-A-M-5000RK = 5000 mm Länge

ES&S Solutions GmbH · Gewerbering 2 · 41751 Viersen · GERMANY · www.esskabel.de
fon: +49 (0)2162 - 266 18 0 · fax: +49 (0)2162 - 266 18 88 · info@esskabel.de

REV: 1.00 2/4
Copyright© 2016

DISCLAIMER:

In the absence of confirmation by device specification sheets, ES&S Solutions GmbH takes no responsibility for any defects that occur in equipment using any of ES&S's devices, shown in catalogs, data books, etc. Contact ES&S in order to obtain the latest device specification sheets before using any ES&S's device. ES&S reserves the right to make changes in the specifications, characteristics, data, materials, structures and other contents described herein at any time without notice in order to improve design or reliability. Contact ES&S in order to obtain the latest specification sheets before using any ES&S's device. Manufacturing locations are also subject to change without notice. Observe the following points when using any device in this publication. ES&S takes no responsibility for damage caused by improper use of the devices. ES&S's devices shall not be used for equipment that requires extremely high level of reliability, such as: -Military and space applications -Nuclear power control equipment -Medical equipment for life support

KAB-IP67-USB-A-F-USB-A-M-1000RK

DATASHEET

2. Bilder



3. Abmessung

Größe: 1000,0 (L) (in mm)

4. Temperaturbereiche

Betriebstemperatur: -20°C bis 85°C

Lagertemperatur: -40°C bis 85°C

DISCLAIMER:

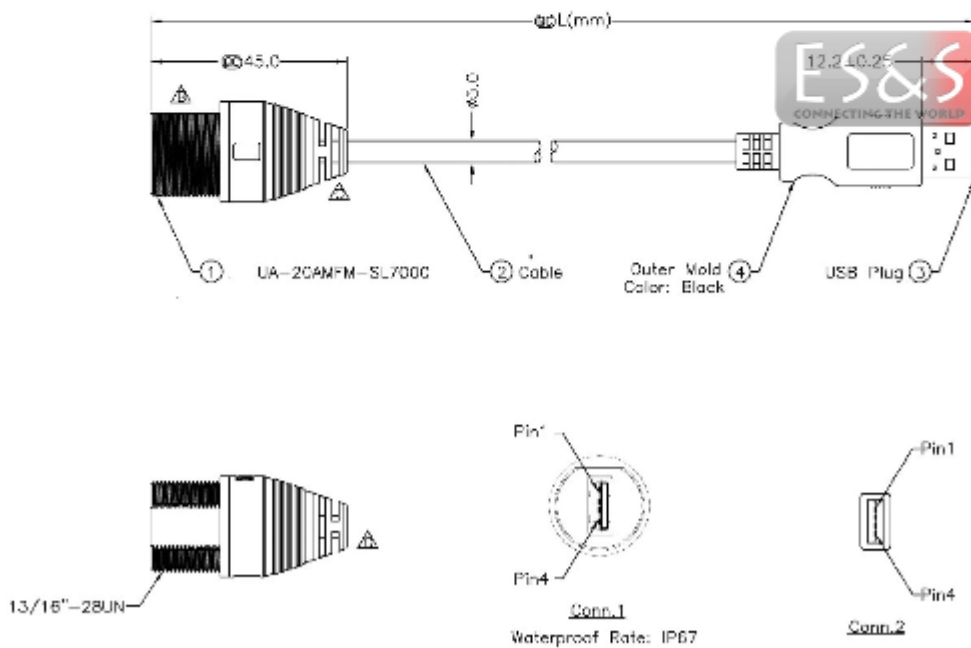
In the absence of confirmation by device specification sheets, ES&S Solutions GmbH takes no responsibility for any defects that occur in equipment using any of ES&S's devices, shown in catalogs, data books, etc. Contact ES&S in order to obtain the latest device specification sheets before using any ES&S's device. ES&S reserves the right to make changes in the specifications, characteristics, data, materials, structures and other contents described herein at any time without notice in order to improve design or reliability. Contact ES&S in order to obtain the latest specification sheets before using any ES&S's device. Manufacturing locations are also subject to change without notice. Observe the following points when using any device in this publication. ES&S takes no responsibility for damage caused by improper use of the devices. ES&S's devices shall not be used for equipment that requires extremely high level of reliability, such as: -Military and space applications -Nuclear power control equipment -Medical equipment for life support

5. Gewicht

Gewicht ohne Verpackung: 64,6 g

Gewicht mit Verpackung: 77,6 g

6. Zeichnung



DISCLAIMER:

In the absence of confirmation by device specification sheets, ES&S Solutions GmbH takes no responsibility for any defects that occur in equipment using any of ES&S's devices, shown in catalogs, data books, etc. Contact ES&S in order to obtain the latest device specification sheets before using any ES&S's device. ES&S reserves the right to make changes in the specifications, characteristics, data, materials, structures and other contents described herein at any time without notice in order to improve design or reliability. Contact ES&S in order to obtain the latest specification sheets before using any ES&S's device. Manufacturing locations are also subject to change without notice. Observe the following points when using any device in this publication. ES&S takes no responsibility for damage caused by improper use of the devices. ES&S's devices shall not be used for equipment that requires extremely high level of reliability, such as: -Military and space applications -Nuclear power control equipment -Medical equipment for life support