



DATASHEET
KAB-IP67-USB-A-F-USB-A-M-1000RK

KAB-IP67-USB-A-F-USB-A-M-1000RK



IP67 cable assembly with connector USB-A female and USB-A male

ES&S Solutions GmbH · Gewerbering 2 · 41751 Viersen · GERMANY · www.esskabel.de
fon: +49 (0)2162 - 266 18 0 · fax: +49 (0)2162 - 266 18 88 · info@esskabel.de

REV: 1.00 1/4
Copyright© 2016

DISCLAIMER:

In the absence of confirmation by device specification sheets, ES&S Solutions GmbH takes no responsibility for any defects that occur in equipment using any of ES&S's devices, shown in catalogs, data books, etc. Contact ES&S in order to obtain the latest device specification sheets before using any ES&S's device. ES&S reserves the right to make changes in the specifications, characteristics, data, materials, structures and other contents described herein at any time without notice in order to improve design or reliability. Contact ES&S in order to obtain the latest specification sheets before using any ES&S's device. Manufacturing locations are also subject to change without notice. Observe the following points when using any device in this publication. ES&S takes no responsibility for damage caused by improper use of the devices. ES&S's devices shall not be used for equipment that requires extremely high level of reliability, such as: -Military and space applications -Nuclear power control equipment -Medical equipment for life support

KAB-IP67-USB-A-F-USB-A-M-1000RK

DATASHEET



DATASHEET

KAB-IP67-USB-A-F-USB-A-M-1000RK

1. Functional description

SB (type A) female connector with protection class IP67 and a connectoin cable of 1060 mm length to an USB type A male without protection class (common PC).

KAB-IP67-USB-A-F-USB-A-M-1000RK

Technical data:

- side 1: IP67 USB type A female incl. nut and gasket, front screwed
- side 2: USB type A male
- cable, black AWG28 x1, AWG24x2C+AL+D+B, OD = 5.00 mm
- USB 2.0
- length 1060 mm

Various lengths available:

KAB-IP67-USB-A-F-USB-A-M-0400RK = 400 mm length

KAB-IP67-USB-A-F-USB-A-M-0560RK = 560 mm length

KAB-IP67-USB-A-F-USB-A-M-1400RK = 1400 mm length

KAB-IP67-USB-A-F-USB-A-M-2000RK = 2000 mm length

KAB-IP67-USB-A-F-USB-A-M-4200RK = 4200 mm length

KAB-IP67-USB-A-F-USB-A-M-5000RK = 5000 mm length

DISCLAIMER:

In the absence of confirmation by device specification sheets, ES&S Solutions GmbH takes no responsibility for any defects that occur in equipment using any of ES&S's devices, shown in catalogs, data books, etc. Contact ES&S in order to obtain the latest device specification sheets before using any ES&S's device. ES&S reserves the right to make changes in the specifications, characteristics, data, materials, structures and other contents described herein at any time without notice in order to improve design or reliability. Contact ES&S in order to obtain the latest specification sheets before using any ES&S's device. Manufacturing locations are also subject to change without notice. Observe the following points when using any device in this publication. ES&S takes no responsibility for damage caused by improper use of the devices. ES&S's devices shall not be used for equipment that requires extremely high level of reliability, such as: -Military and space applications -Nuclear power control equipment -Medical equipment for life support

2. Pictures



3. Dimension

Size: 1000.0 (l) (in mm)

4. Temperature ranges

Operating temperature: -20°C to 85°C

Storage temperature: -40°C to 85°C

DISCLAIMER:

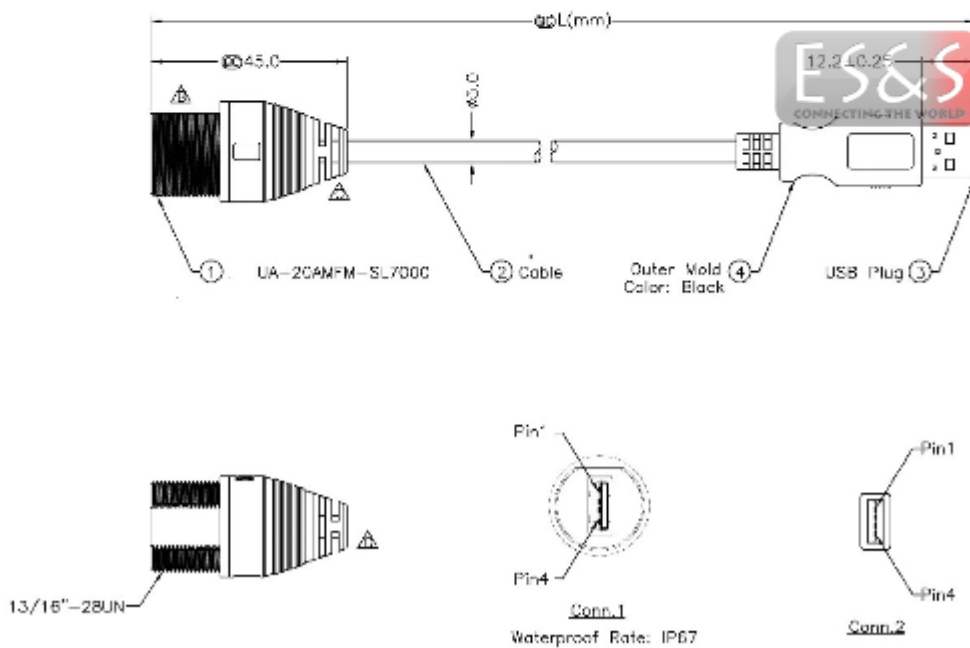
In the absence of confirmation by device specification sheets, ES&S Solutions GmbH takes no responsibility for any defects that occur in equipment using any of ES&S's devices, shown in catalogs, data books, etc. Contact ES&S in order to obtain the latest device specification sheets before using any ES&S's device. ES&S reserves the right to make changes in the specifications, characteristics, data, materials, structures and other contents described herein at any time without notice in order to improve design or reliability. Contact ES&S in order to obtain the latest specification sheets before using any ES&S's device. Manufacturing locations are also subject to change without notice. Observe the following points when using any device in this publication. ES&S takes no responsibility for damage caused by improper use of the devices. ES&S's devices shall not be used for equipment that requires extremely high level of reliability, such as: -Military and space applications -Nuclear power control equipment -Medical equipment for life support

5. Weight

Weight without packaging: 64.6 g

Weight with packaging: 77.6 g

6. Drawing



DISCLAIMER:

In the absence of confirmation by device specification sheets, ES&S Solutions GmbH takes no responsibility for any defects that occur in equipment using any of ES&S's devices, shown in catalogs, data books, etc. Contact ES&S in order to obtain the latest device specification sheets before using any ES&S's device. ES&S reserves the right to make changes in the specifications, characteristics, data, materials, structures and other contents described herein at any time without notice in order to improve design or reliability. Contact ES&S in order to obtain the latest specification sheets before using any ES&S's device. Manufacturing locations are also subject to change without notice. Observe the following points when using any device in this publication. ES&S takes no responsibility for damage caused by improper use of the devices. ES&S's devices shall not be used for equipment that requires extremely high level of reliability, such as: -Military and space applications -Nuclear power control equipment -Medical equipment for life support