

NOTES:

1. MATERIAL:

- 1.1 HOUSING: THERMOPLASTIC, HIGH TEMP., UL94V-0; COLOR:NATURAL OR BLACK.
- 1.2 CONTACT: COPPER ALLOY
- 1.3 FITTING NAIL:COPPER ALLOY

2. FINISH:

2.1 CONTACT:

- UNDERPLATING: 50u" MIN. NICKEL OVERALL.
- FINISH:GOLD FLASH PLATING
- GOLD 3u" MIN. ON CONTACT

2.2 FITTING NAIL:

- UNDERPLATING: 50u" MIN. NICKEL OVERALL.
- FINISH:GOLD FLASH PLATING

3. REFLOW SOLDER CAPABLE TO 260°C PER ACES SPEC.

4. ROHS COMPLIANT PRODUCT.

5. SPEC. PLS. REFER TO PS-88881-xxxxx

6. DRAWING PACKAGING REFER TO 88882-xxxx

7. COPLANARITY 0.1 MM MAX. BASE ON DATUM A

8. TRUE POSITION 0.1 MM MAX. BAES ON DATUM B

9. PART NUMBER

88882-2D X X-XXX

NO OF CKT
230 CKTS

PACKING
0:Tape & Reel
2:Tray

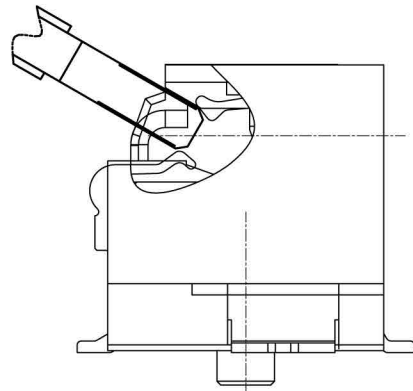
XXX	Housing Color.
□□□	NATURAL
001	BLACK

PLATING

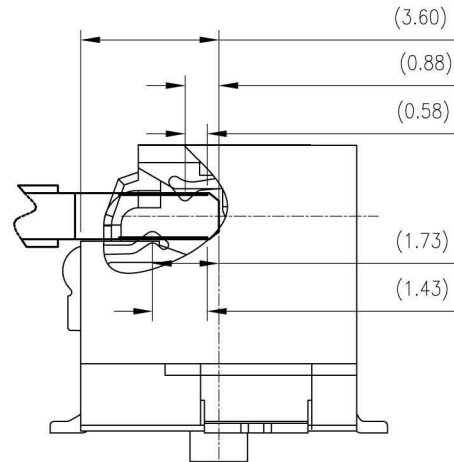
- 8: G/F (LEAD FREE)
- GOLD 3u" MIN. ON CONTACT
- M:3u" GOLD ON CONTACT AND SOLDER FOR SELECRIEENESS PLATING
- K:30u" GOLD ON CONTACT AND SOLDER FOR SELECRIEENESS PLATING
- T:10u" GOLD ON CONTACT AND SOLDER FOR SELECRIEENESS PLATING

一般公差 TOLERANCES X ±0.5 YX ±0.15 X ±0.25 YXX ±0.1 ANGLES ±2°		宏致電子股份有限公司 Aces Electronic Co.,Ltd.	
檢驗尺寸標示 SYMBOLS ⊕ ⊕ INDICATE CLASSIFICATION DIMENSION ⊕ MARK IS CRITICAL DIM. ⊕ MARK IS MAJOR DIM.	品名 (TITLE) MXM 230 pins 0.5mm pitch Edge Card Conn. R/A D/R STD H=7.5mm (B/B H=5.0mm)	製圖 (DR) 12/04/10 審核 (CHKD) TONY	Huanty
圖號 (DWG.NO) 88882-2DXX-XXX		核准 (APPD) JASON	
表面處理 (FINISH)	比例 (SCALE) 1.5:1	單位 (UNITS) mm	張數 (SHEET) 1 OF 3 圖號 (DWG.NO) 1 OF 3 尺寸 (SIZE) A4 頁數 (REV) H

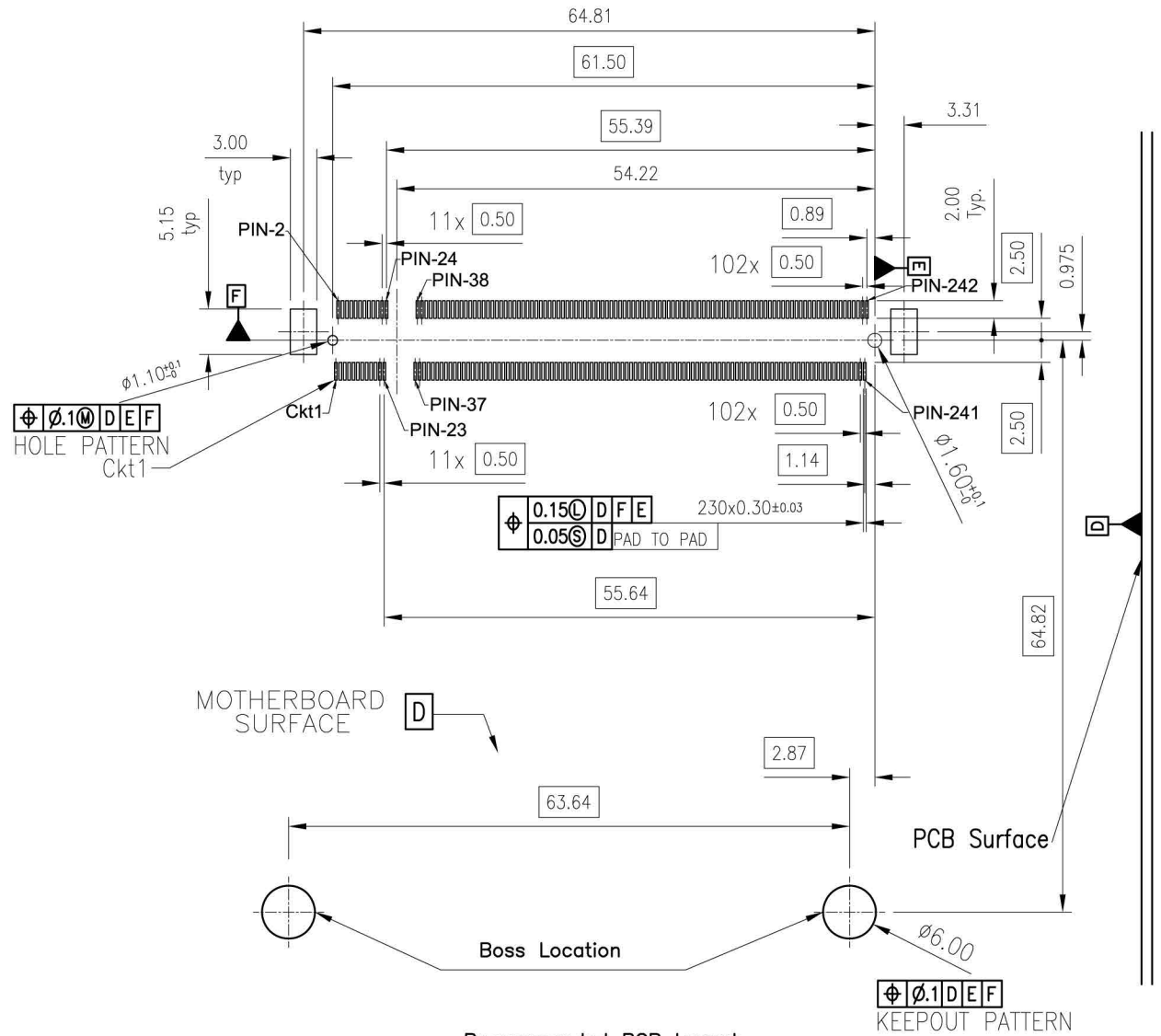




PCB 30° In conn. Scale 2:1



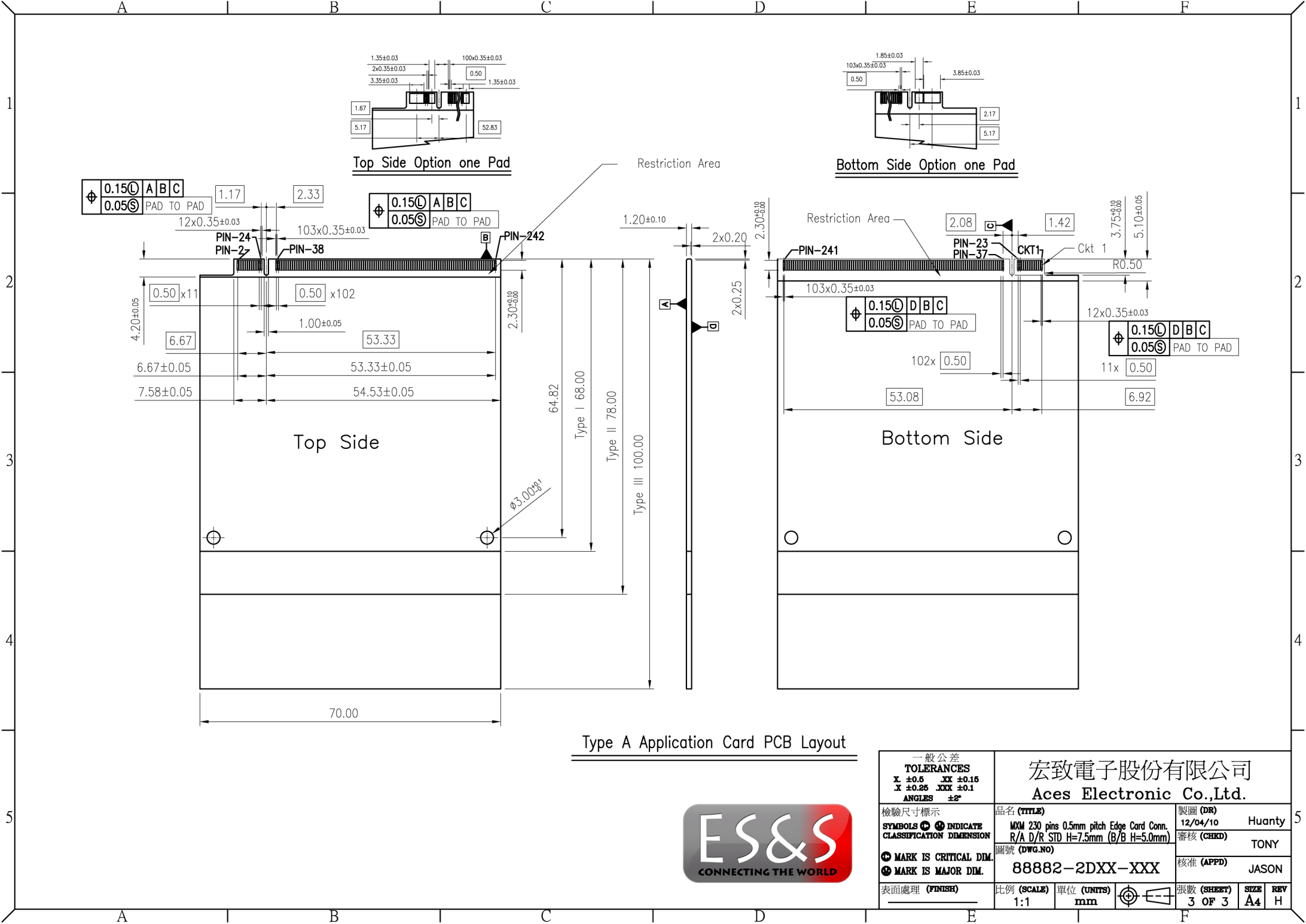
PCB on 90° Scale 2:1



Recommended PCB Layout

一般公差 TOLERANCES X ± 0.5 XX ± 0.15 Y ± 0.25 ZXX ± 0.1 ANGLES $\pm 2^\circ$		宏致電子股份有限公司 Aces Electronic Co.,Ltd.	
檢驗尺寸標示 SYMBOLS CLASSIFICATION DIMENSION ④ MARK IS CRITICAL DIM. ⑤ MARK IS MAJOR DIM.	品名 (TITLE) 230 pins 0.5mm pitch Edge Card Conn. R/A D/R STD H=7.5mm (B/B H=5.0mm)	製圖 (DR) 12/04/10 審核 (CHKD) TONY 核准 (APPD) JASON	Huanty TONY JASON
表面處理 (FINISH)		88882-2DXX-XXX 比例 (SCALE) 1.5:1 單位 (UNITS) mm	圖號 (DWG.NO.) 2 OF 3 張數 (SHEET) SIZE A4 REV H





Type A Application Card PCB Layout



一般公差 TOLERANCES X ±0.5 XX ±0.15 Y ±0.25 YYY ±0.1 ANGLES ±2°		宏致電子股份有限公司 Aces Electronic Co.,Ltd.	
檢驗尺寸標示 SYMBOLS ⊕ INDICATE CLASSIFICATION DIMENSION		品名 (TITLE) MXM 230 pins 0.5mm pitch Edge Card Conn. R/A D/R STD H=7.5mm (B/B H=5.0mm)	製圖 (DR) 12/04/10 Huanty
⊕ MARK IS CRITICAL DIM. ⊙ MARK IS MAJOR DIM.		圖號 (DWG.NO) 88882-2DXX-XXX	審核 (CHKD) TONY
表面處理 (FINISH)		比例 (SCALE) 單位 (UNITS) 1:1 mm	核准 (APPD) JASON
		張數 (SHEET) 3 OF 3	尺寸 (SIZE) A4
			圖號 (REV) H