

PACKAGE 1:
每50PCS產品如下圖方式裝入PE袋。
PRODUCTS 50PCS FOR A PE BAG.

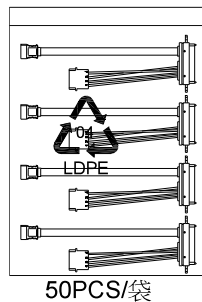
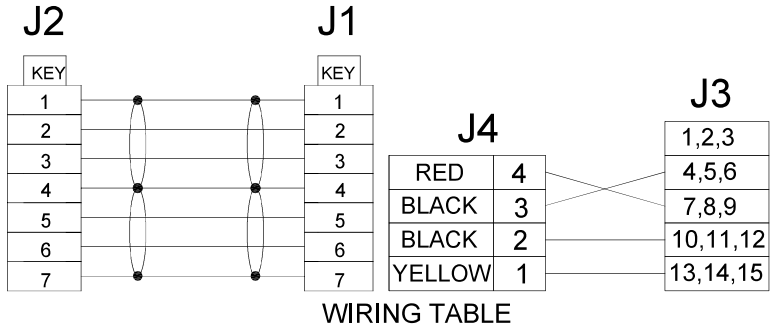


TABLE:

P/N	LENGTH " A "	LENGTH " B "
T107048221904-1	320±20mm	320±20mm

NOTE:
1.OPEN/SHORT TEST:100%;
2.CONDUCTOR RESISTANCE:5Ω;
3.INSULATION RESISTANCE:20MΩ;
4.HI-POT TEST:300V/DC;
5.ALL MATERIALS MUST ACCORD WITH RoHS;



ITEM	PART NUMBER	DESCRIPTION	Q'TY	REMARK
8	T700101000601HG	OVER MOLDING PVC BLACK 35P	G	
7	T70021006060101	INNER MOLDING:LDPE 0405 JAPAN NUC,低密度 耐溫 120度	G	
6	T50481601303056	SATA 7P FEMALE G/F W/LOCK CRIMP TYPE BLACK(黑色)	1PC	
5	T50483301300192	SATA 7+15 G/F 尖頭 F LCP CRIMPING FOR CABLE ASS'Y	1PC	
4	T812516120801	TERMIANL PH 5.08MMFOR HOUSING 低腳(E.C.I:8611)	4PCS	
3	T50182510400101	HOUSING PITCH5.08mm 1*4 P MALE WHITE(E.C.I:8621-04)	1PC	
2	T59072318XX44	UL1007 18AWG(紅.黑.黃)	A/R	
	T59072318XXL7	UL1007 18AWG(紅.黑.黃)	A/R	
1	T60-C17S1417	CABLE,FLAT,SATA,RED #26 (26AWGX2C+A)X2P+4E	A/R	

TOLERANCE UNIT(mm)	APPROVALS	DATE	KAB-SATA-7P-15P-0300-0300LI-SCREW-R1				
X. ±0.30	DRAWN	04/12/2019	TITLE SATA 22P+ EAR 180 TO SATA 7P 180(SATA CABLE RED 26#) & PH 5.08 M 1X4P (UL1007 18#)				
X.X ±0.25	WINKI	04/12/2019					
X.XX ±0.15	CHECKED	JOHNSON					04/12/2019
X.XXX ±0.08	APPROVED	JOHNSON	04/12/2019	SCALE N.A.	PART NO.	DRAWING NO.	REV.
ANGULAR ±2°				SHEET 1 OF 1	T107048221904-X	T107048221904-X -AX1	AX1
UNLESS OTHERWISE SPECIFIED	UNIT MM		CUSTOMER CODE	CUSTOMER PART NO.			