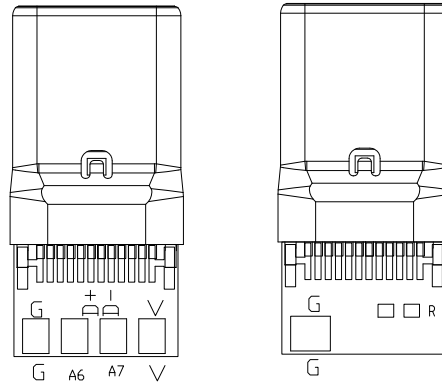


USB 3.1 CM(Nickel Plated)
Black Molding,No:1821
TOL:±0.3



USB2.0 MICRO B5F(Nickel Plated)
Black Molding,No:348
TOL:±0.3

PIN ASSIGNMENT:

USB2.0 MICRO B5F	USB 3.1 CM	
1	A4+B4+A9+B9	24#
2	A7	
3	A6	
Shell+5	A1+B1+A12+B12+Shell	2D+B

MAX 480M(0.5G) to Cable
OPEN/SHORT TEST:100% TEST.
INSULATION: MIN. 5M.

KAB-USB3.1-CM-USB-B-MICRO-F-0150RK

⑤	USB2.0 MICRO B5F(Black Insulator,Nickel Plated)	1PCS
④	PE	10g
③	Black 45P PVC	20g
②	USB3.1 CM Type(Black Insulator,Nickel Plated),4PIN,56K	1PCS
①	30AWG*1P+1C*32AWG+1C*24AWG+D+AB (TA) ,OD=3.0mm Black PVC Jacket.	1PCS
No.	Description	Qty

Company		Goods Code		Draw	OYH	Date	2019.05.04
ITEM NO.	USB2-CM-MCSF-6N	Drawing Evidence		Check		Date	
Goods NO.				Approval		Date	
Original NO.		Unit(mm)		Audit		Date	



D		
C		
B		
VER. A	REVISE	Date