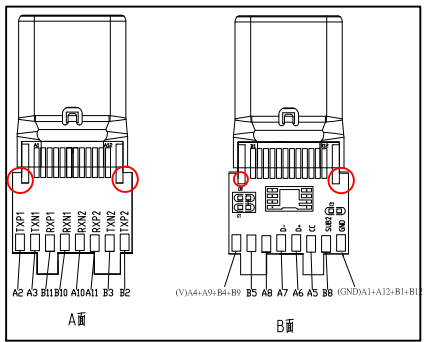
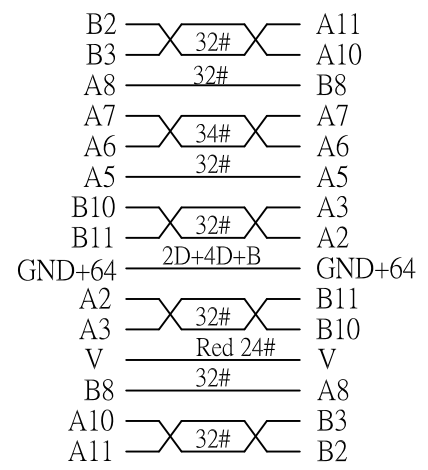


USB 3.1 CM(Nickel Plated)
Black Molding,NO:1825
TOL:±0.3

USB 3.1 CM type90° (Nickel Plated)
Black Molding : 1678
TOL:±0.3



PIN ASSIGNMENT:
USB 3.1 CM type USB 3.1 CM type



MAX 10GB,3A to Cable
GEN2
OPEN/SHORT TEST:100% TEST.
INSULATION: MIN. 5M.

KAB-USB3.1-CM-USB3.1-CM-90-0900RK

⑤	Copper foil	2PCS
④	PE	10g
③	Black 45P PVC	20g
②	USB3.1 CM Type(Black Insulator,Nickel Plated),16PIN	2PCS
①	(32#*1P+D+AL+HM)*4C+34#*1P+32#*4C+24#*1C+AB(TA) OD=4.8MM Black PVC Jacket.	1PCS
No.	Description	Qty

Company	Goods Code	Draw	OYH	Date	2019.05.04
ITEM NO. USB3-CM-CM-3FT-A	Drawing Evidence	Check		Date	
Goods NO.		Approval		Date	
Original NO.	Unit(mm)	Audit		Date	

	D		
	C		
	B		
	VER. A	REVISE	Date