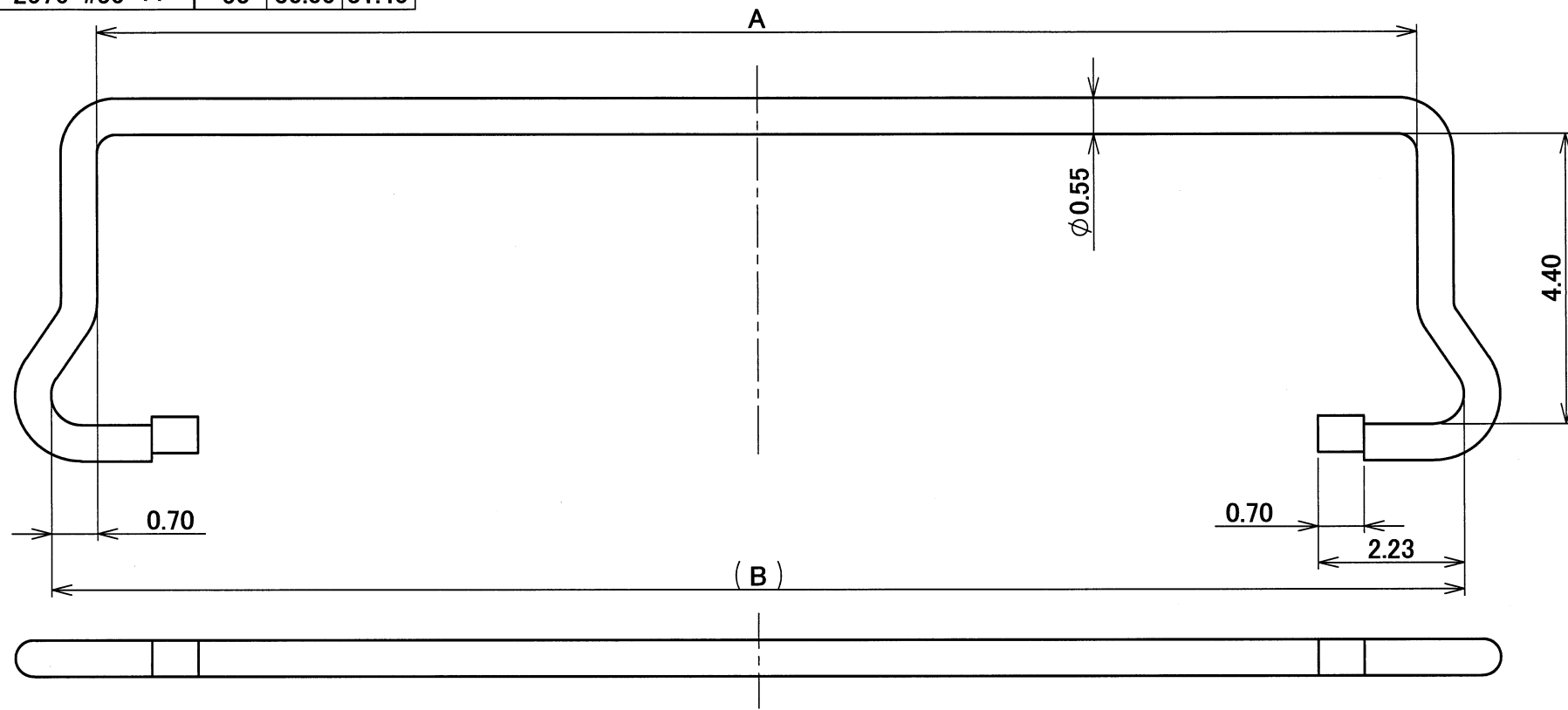
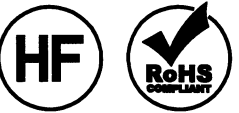


Recommended P/N 2576-1\*\*-00

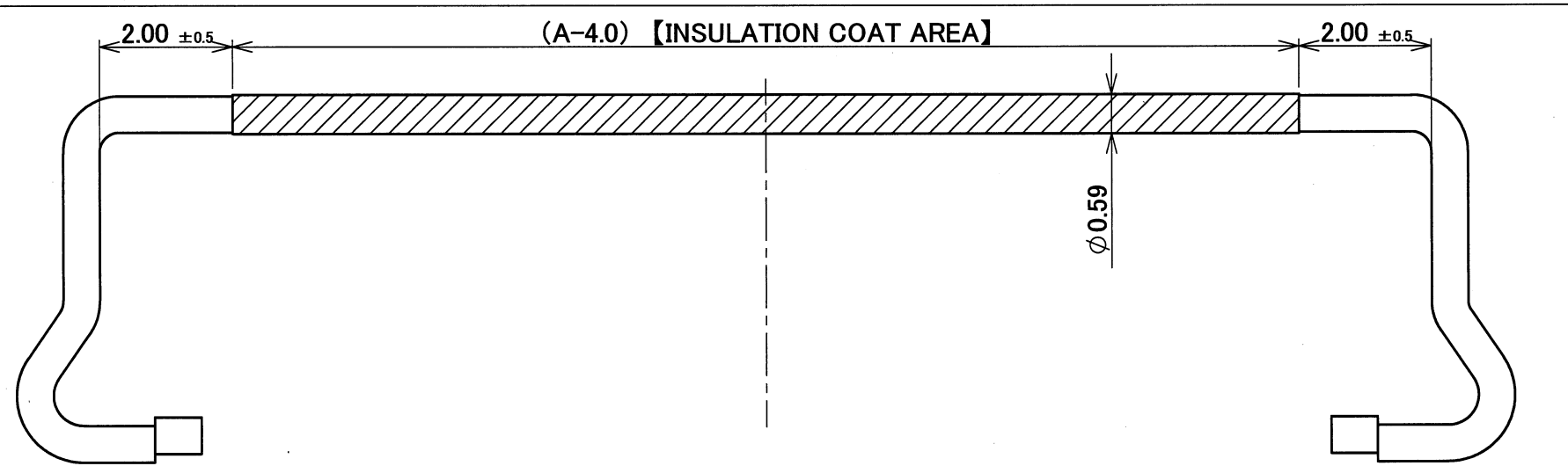
PART NO.	POS.	A	B
2576-#20-**-**	20	15.05	16.45
2576-#30-**-**	30	20.05	21.45
2576-#40-**-**	40	25.05	26.45
2576-#50-**-**	50	30.05	31.45

2576-0\*\*-\*\*-\*\*



P/N: 2576-#\*\*-\*\*-\*\*

- WITHOUT : PACKING QTY. IS 15000 IN SHIPPING CARTON
- 00 : PACKING QTY. IS 5000 IN SHIPPING CARTON
- POS.
- 0 : WITHOUT INSULATION COAT
- 1 : WITH INSULATION COAT



2576-1\*\*-\*\*-\*\*

NO.	DISCRIPTION	MATERIAL	FINISH , REMARKS
1	PULL BAR	SUS	-

REV.	ECN	BY	DATE	APP.	APP.	DATE	DWG. No.	2576
12	Z181003	Y.M	July/31/'18	<i>Y.M</i>	ANGLE	±2°	6 OVER 30 MAX.	±0.3
11	Z180796	A.K	June/20/'18	H.I	6 MAX.	±0.2	30 OVER 120 MAX.	±0.5
10	Z180048	Y.M	Jan./12/'18	H.I	GENERAL TOLERANCE.			TITLE
9	Z160474	K.T	May/03/'16	Y.S	DWG.	DATE	CABLIN <sup>®</sup> -VS	
8	Z151047	H.I	Nov./25/'14	Y.S	H.Ikari	2008/04/16	PLUG PULL BAR	
7	Z141346	K.T	Nov./25/'14	E.K	CHK.	DATE	SERIES No. R0	
REVISION RECORD					E.Kawabe	2008/04/17	CUSTOMER COPY	
								SCALE 10:1
								UNIT mm
								SIZE A3
								SHEET 1/2 REV. 12

Confidential C

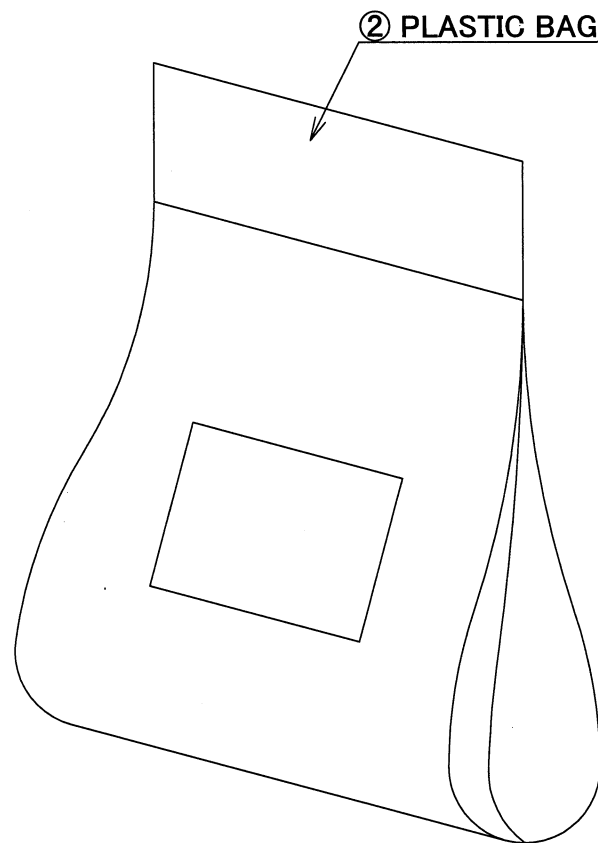
DAI-ICHI SEIKO CO., LTD.

QKE-DFE06-02 REV.11

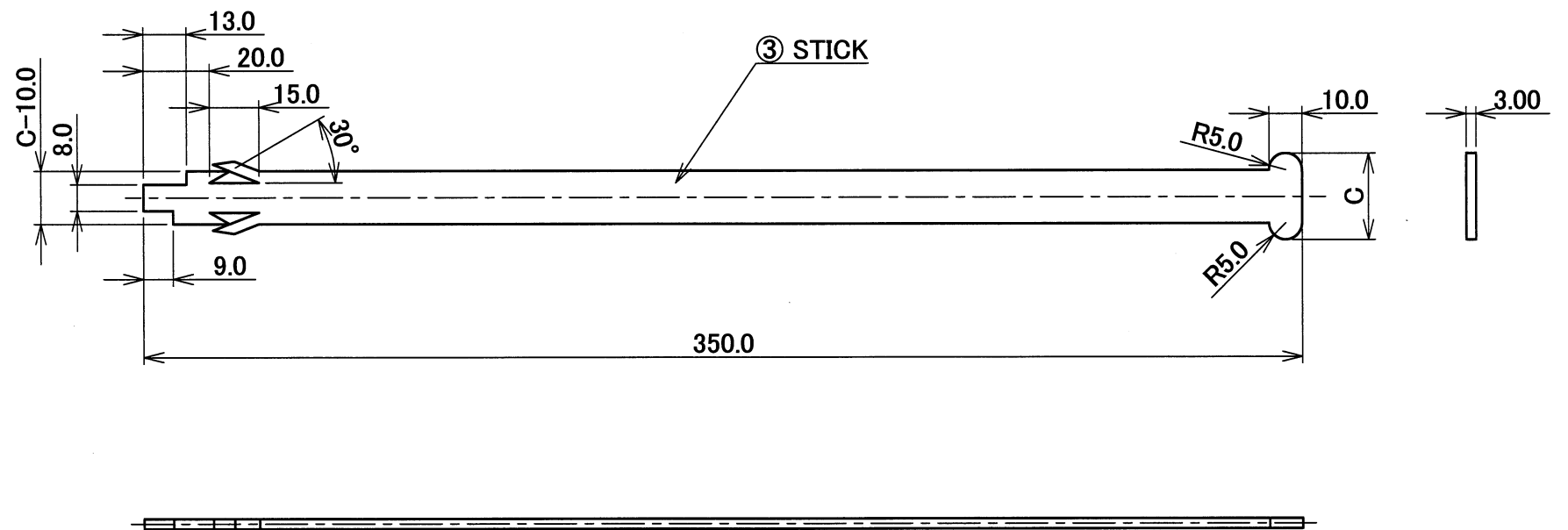


PART NO.	PACKING STATUS	C	STICK or PLASTIC BAG QTY.	QTY. (1 STICK or 1 PLASTIC BAG)	QTY. IN SHIPPING CARTON (1 CARTON)	QTY. IN PACKING CARTON (1 CARTON)
2576-020	PLASTICK BAG	-	15	1000	1000 × 15 = 15000	60000 (4 BOXES)
2576-030						
2576-040						
2576-050						
2576-020-00						
2576-030-00						
2576-040-00						
2576-050-00	STICK	24.0	30	500	500 × 30 = 15000	60000 (4 BOXES)
2576-120						
2576-130						
2576-140						
2576-150						
2576-120-00		24.0	10	500	500 × 10 = 5000	20000 (4 BOXES)
2576-130-00						
2576-140-00						
2576-150-00						
2576-120-00						
2576-130-00						
2576-140-00						
2576-150-00						
2576-120-00						
2576-130-00						
2576-140-00						
2576-150-00						

**PLACTIC BAG (2576-0\*\*-\*\*)**



**STICK (2576-1\*\*-\*\*)**



3	STICK	PP	-
2	PLASTIC BAG	PE	-
NO.	DISCRIPTION	MATERIAL	FINISH , REMARKS

ANGLE	±2°	6 OVER 30 MAX.	±0.3	PROJECTION ⊕	SERIES No. R0	CUSTOMER COPY	
6 MAX.	±0.2	30 OVER 120 MAX.	±0.5				
GENERAL TOLERANCE.				TITLE	SCALE	I-PEX connectors	
DWG.	DATE			CABLINE®-VS PLUG PULL BAR	1:2		
CHK.	DATE				UNIT		mm
APP.	DATE				DWG. No.		2576
					SIZE	A3	
					SHEET	2/2	
					REV.	12	