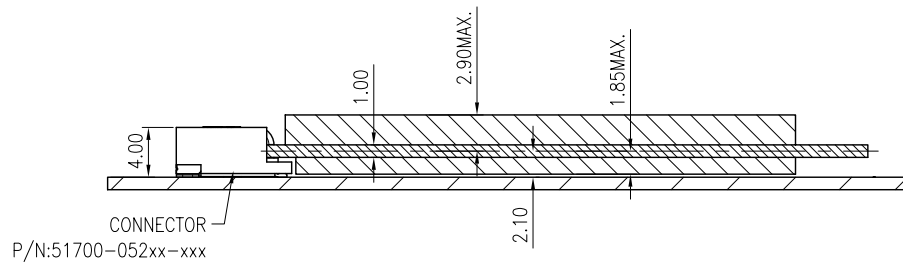


WITHOUT LATCH DRAWING

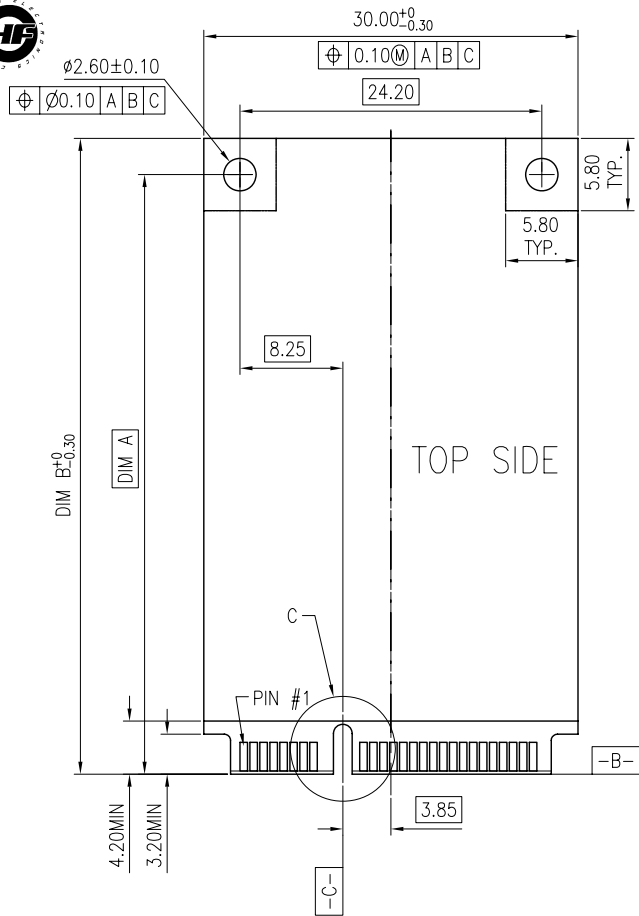
TYPE	DIM C
Half-Mini Card	23.90
Full-Mini Card	48.05

NOTES:

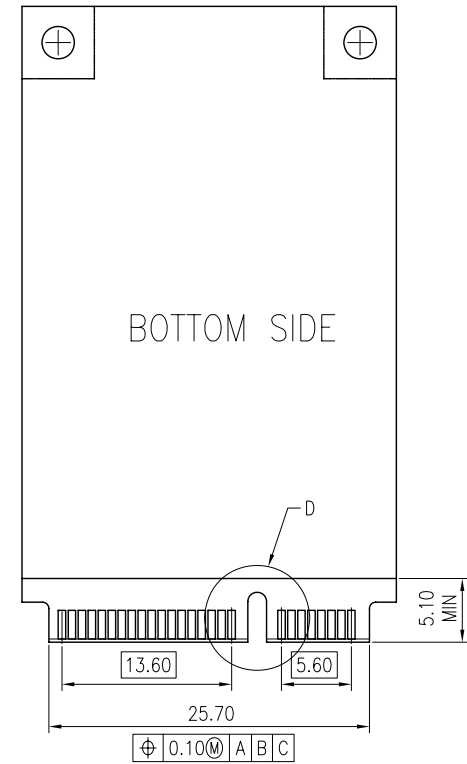
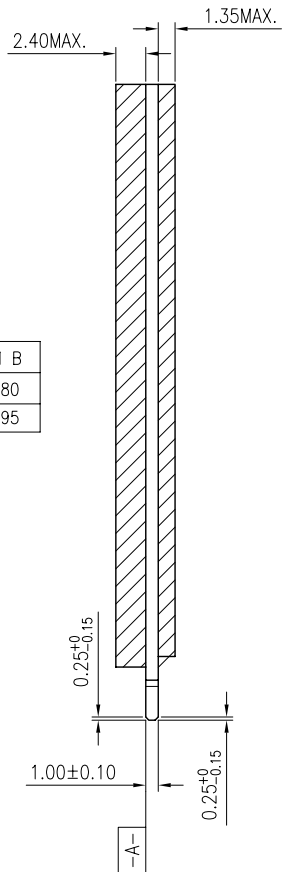
- MATERIALS:
HOUSING: HIGH TEMPERATURE PLASTIC
COLOR:BLACK, UL94 V-0
CONTACT: COPPER ALLOY
NAIL: COPPER ALLOY
- FINISH
CONTACT: PLS. SEE ORDER INFORMATION(R.o.H.S COMPARED)
UNDERPLATED:NICKEL OVERALL
NAIL: TIN ON SOLDER AREA
UNDERPLATED:NICKEL OVERALL
- THE MODULE CARD REFERENCE MINIPCI EXPRESS CARD
ELECTROMECHANICAL SPECIFICATION
- SPEC. PLS. REFER TO PS-51700-XXXX



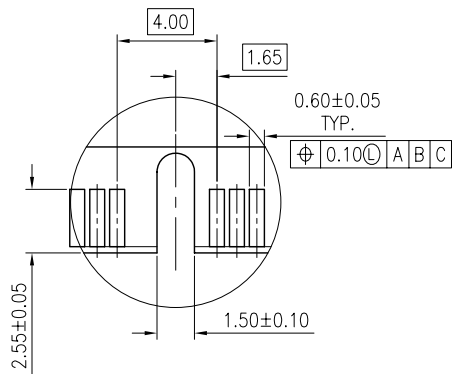
一般公差 TOLERANCES X ±0.5 .XX ±0.15 X ±0.25 .XXX ±0.1 ANGLES ±2°		宏致電子股份有限公司 Aces Electronics Co.,Ltd.	
檢驗尺寸標示 SYMBOLS INDICATE CLASSIFICATION DIMENSION MARK IS CRITICAL DIM. MARK IS MAJOR DIM.	品名 (TITLE) CONNECTOR OF 0.8mm 52 POS. H=4.0mm MINIPCI EXPRESS RVS. TYPE 圖號 (DWG.NO) 51700-XXXXX-XXX	製圖 (DR) '13/11/12 DAVID 審核 (CHKD) JERRY 核准 (APPD) JASON	張數 (SHEET) 1 OF 4 比例 (SCALE) 單位 (UNITS) mm
表面處理 (FINISH)	比例 (SCALE) 單位 (UNITS) mm		張數 (SHEET) 1 OF 4 尺寸 (SIZE) A4 版次 (REV) D



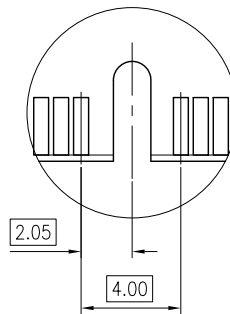
TYPE	DIM A	DIM B
Half-Mini Card	23.90	26.80
Full-Mini Card	48.05	50.95



NOTES:
 1. PIN NUMBERING REFERENCE:
 ODD PINS: TOP SIDE
 EVEN PINS: BOTTOM SIDE



DETAIL C
SCALE 4:1



DETAIL D
SCALE 4:1

一般公差 TOLERANCES X ±0.5 .XX ±0.15 X ±0.25 .XXX ±0.1 ANGLES ±2°		宏致電子股份有限公司 Aces Electronics Co.,Ltd.	
檢驗尺寸標示 SYMBOLS INDICATE CLASSIFICATION DIMENSION	品名 (TITLE) 0.8mm 52 POS. H=4.0mm MINIPCI EXPRESS RVS. TYPE	製圖 (DR) '13/11/12 審核 (CHKD) JERRY	DAVID JASON
MARK IS CRITICAL DIM. MARK IS MAJOR DIM.	圖號 (DWG.NO) 51700-XXXXX-XXX	核准 (APPD) JASON	
表面處理 (FINISH)	比例 (SCALE) 單位 (UNITS) 2:1 mm		張數 (SHEET) 3 OF 4 尺寸 (SIZE) A4 版次 (REV) D



A

B

C

D

E

F

1

1

2

2

3

3

4

4

5

5

A

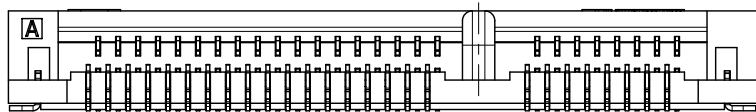
B

C

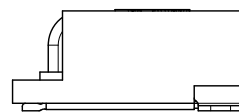
D

E

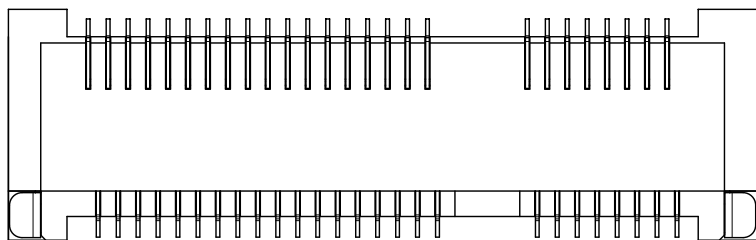
F



NONE BOSS



NONE BOSS



NONE BOSS

一般公差 TOLERANCES X ±0.5 .XX ±0.15 X ±0.25 .XXX ±0.1 ANGLES ±2°		宏致電子股份有限公司 Aces Electronics Co.,Ltd.		
檢驗尺寸標示 SYMBOLS INDICATE CLASSIFICATION DIMENSION	品名 (TITLE) 0.8mm 52 POS. H=4.0mm MINIPCI EXPRESS RVS. TYPE	製圖 (DR) '13/11/12 DAVID		
MARK IS CRITICAL DIM. MARK IS MAJOR DIM.	圖號 (DWG.NO) 51700-XXXXX-XXX	審核 (CHKD) JERRY		
表面處理 (FINISH)	比例 (SCALE) 4:1	單位 (UNITS) mm		核准 (APPD) JASON
			張數 (SHEET) 4 OF 4	尺寸 (SIZE) A4
				版次 (REV) D