

# XSLS SERIES

RoHS  
Compliant

## 0.25mm PITCH CONNECTOR FOR MICRO COAXIAL CABLE (STACKING TYPE)



### FEATURES

- ▶ Compact connector with a low profile of 1.44 mm(0.057") and a mating width of 3.05 mm(0.120").
- ▶ For micro coaxial cable (#44 AWG, #46 AWG).
- ▶ Signal terminals are soldered by Pulse Heat in one shot and keep a stable & highly reliable connection.
- ▶ Equipped with a metal shell, noise reduction and product strength are ensured.
- ▶ Multiple ground terminals are provided for enhanced transmission characteristics and EMS protection.
- ▶ Highly reliable design with effective mating length of 0.31mm(0.012").
- ▶ Nickel barrier of the board side contact prevents solder wicking.
- ▶ Possible to put through narrow tube with a diameter of  $\phi 2.7$ mm ( $\phi 0.106$ " ) even after soldering.
- ▶ The bottom of the connector is covered with resin, thus circuit may be printed under the connector.

\*Specially designed withdrawal jig and caulking jig for a shell are also available.

### ORDER CODE

**XSLS0**   -   -  

①                      ②                      ③

\*Please order in multiples of the quantity per package.

- ① **[Type]** Receptacle (PCB side connector) **XSLS00** : With suction pick-up surface **XSLS01** : Without suction pick-up surface(Only 30,40pin)
- ② **[Number of contacts]** **30** : 30 pin **40** : 40 pin **52** : 52 pin
- ③ **[Number of packaging]** **A** : 500pcs. per reel (Only 30,40pin) **B** : 3,000pcs. per reel **C** : 5,000pcs. per reel (Only 30,40pin)

### ORDER CODE

**XSLS20** -   -  

①                      ②                      ③

\*Please order in multiples of the quantity per package.

- ① **[Type]** **XSLS20** : Plug (Cable side connector)
- ② **[Number of contacts]** **30** : 30 pin **40** : 40 pin **52** : 52 pin
- ③ **[Number of packaging]** **No code** : 10,000pcs. per reel (Only 30,40pin) **A** : 1,000pcs. per reel (Only 40pin) **B** : 2,000pcs. per reel (Only 40,52pin)

\*Plug(cable side connector) is composed of a base and a shell.

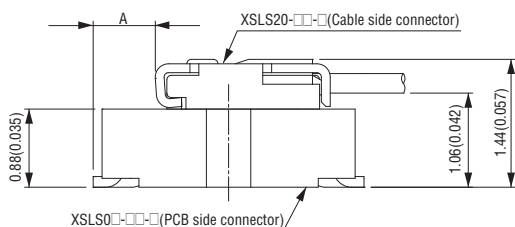
The base is packed in embossed tape and reel (5,000pcs per reel) and the shell is packed in embossed tape and reel (10,000pcs per reel),therefore MOQ of the plug is 10,000pcs. Please contact your local KEL sales office for orders less than the MOQ 10,000pcs.

### SPECIFICATIONS

Material and finish		Electrical characteristics	
Insulator material	[XSLS00]Glass-filled LCP(UL94V-0), Black [XSLS20]Inorganic Filler LCP(UL94V-0), Black	Rated current	#44 AWG : 0.3A per contact #46 AWG : 0.15A per contact
Contact material	Copper alloy	Contact resistance	100m $\Omega$ max.
Contact plating	Gold over Nickel	Dielectric withstanding voltage	100V AC for 1 minute
Retention clip material	Copper alloy	Insulation resistance	50M $\Omega$ min. At 100V DC
Retention clip plating	Gold over Nickel	Operating temperature	-40°C to +85°C
Shell material	Stainless	Insertion and withdrawal durability	30 times
Shell plating	Gold over Nickel	Applicable cable	#44/46 AWG Micro coaxial cables (Outermost diameter: max. 0.24 mm(0.009"))
Adsorption tape material	[XSLS00] Polyimide		

### Mating drawing

Unit : mm(inch)

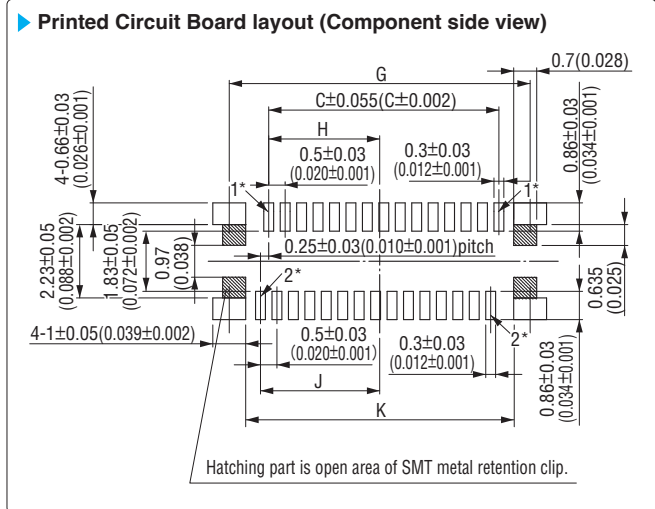
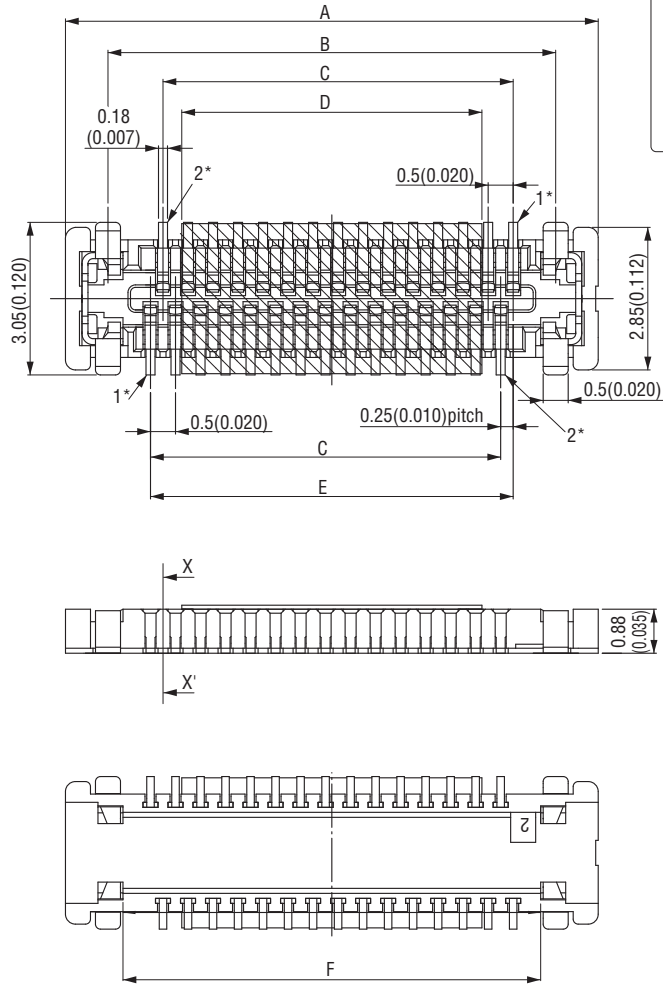


### Dimensions

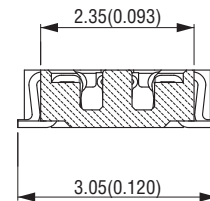
No. of contacts	A
30	0.70 (0.028)
40	0.68 (0.027)
52	0.68 (0.027)

# XSLS0□-□□-□ (Receptacle, PCB side connector)

Unit : mm(inch)



**X-X' Cross section**



\* There is no specific direction for mounting or mating due to that the connector is in rotational symmetric shape. Please pay attention to pin assignment and mating direction of the plug connector.

Packaging style  
Embossed tape

**Product table**

Part number	No. of packaging
XSLS0□-□□-A	500
XSLS0□-□□-B	3,000
XSLS0□-□□-C	5,000

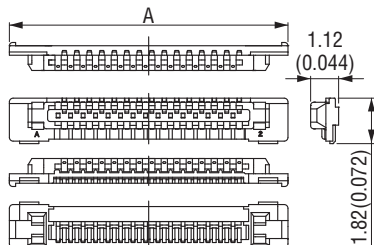
**Product table / Dimensions**

No. of contacts	Part number	A	B	C	D	E	F	G	H	J	K
30	XSLS0□-30-□	10.65 (0.419)	8.95 (0.352)	7.0 (0.276)	6.0 (0.236)	7.25 (0.285)	8.35 (0.329)	9.15 (0.360)	3.375 (0.133)	3.625 (0.143)	8.15 (0.321)
40	XSLS0□-40-□	13.15 (0.518)	11.45 (0.451)	9.5 (0.374)	6.0 (0.236)	9.75 (0.384)	10.85 (0.427)	11.65 (0.459)	4.625 (0.182)	4.875 (0.192)	10.65 (0.419)
52	XSLS00-52-B	16.15 (0.636)	14.45 (0.569)	12.5 (0.492)	6.0 (0.236)	12.75 (0.502)	13.85 (0.545)	14.65 (0.577)	6.125 (0.241)	6.375 (0.251)	13.65 (0.537)

# XSLS20-□□-□ (Plug, Cable side connector)

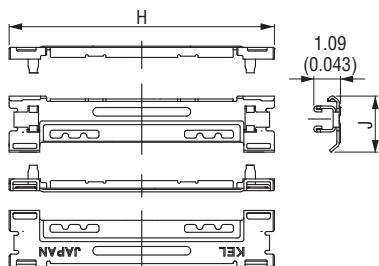
Unit : mm(inch)

## XSLS20-□□Base-□



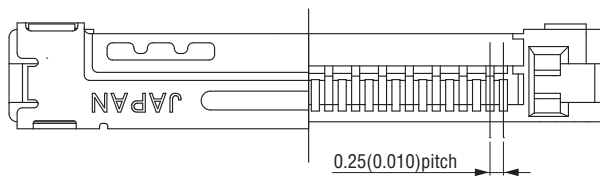
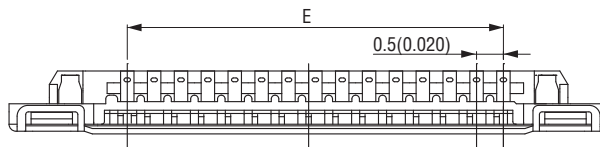
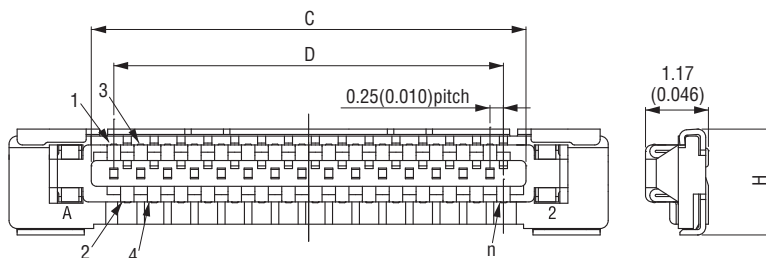
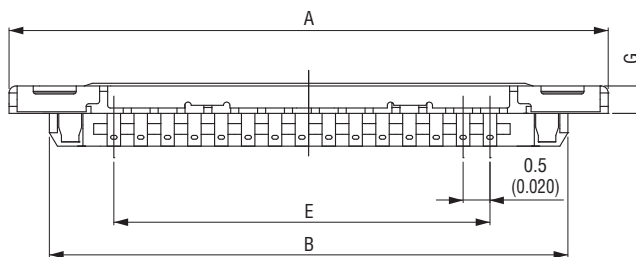
Part number	No. of packaging
XSLS20-□□BASE	5,000
XSLS20-40BASE-A	1,000
XSLS20-□□BASE-B	2,000

## XSLS20-□□Shell-□



Part number	No. of packaging
XSLS20-□□SHELL	10,000
XSLS20-40SHELL-A	1,000
XSLS20-□□SHELL-B	2,000

\*XSLS20-□□Base-□ and XSLS20-□□Shell-□ are component parts of XSLS20-□□-□.



\*"n" is number of contacts.

Packaging style

Embossed tape

### Product table

Part number	No. of packaging
XSLS20-□□	10,000
XSLS20-40-A	1,000
XSLS20-□□-B	2,000

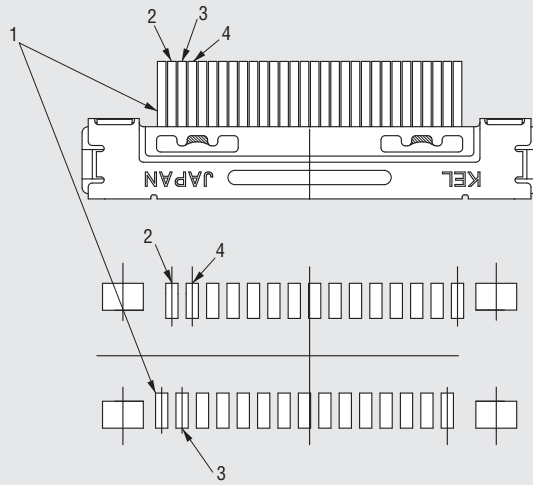
### Product table / Dimensions

No. of contacts	Part number	A	B	C	D	E	F	G	H	J
30	XSLS20-30	11.15 (0.439)	9.65 (0.380)	8.09 (0.319)	7.25 (0.285)	7.0 (0.276)	10.85 (0.427)	0.51 (0.020)	1.97 (0.078)	2.29 (0.090)
40	XSLS20-40-□	13.65 (0.537)	12.15 (0.478)	10.59 (0.417)	9.75 (0.384)	9.5 (0.374)	13.35 (0.526)	0.56 (0.022)	1.99 (0.078)	2.40 (0.094)
52	XSLS00-52-B	16.65 (0.556)	15.15 (0.596)	13.59 (0.535)	12.75 (0.502)	12.5 (0.492)	16.35 (0.644)	0.56 (0.022)	1.99 (0.078)	2.40 (0.094)

## Printed Circuit Board layout (for reference only)

The XLSL Series connector is designed to be rotationally symmetric and, thus, mounting or mating in either orientation is possible. Therefore, please be careful with the pin arrangement and mating orientation when inserting into a plug connector. For proper pin arrangement depending on the inserting direction into the plug connector (on the connector mounted surface), refer to the drawings below.

Mating orientation – For a connector with top cable entry



Mating orientation – For a connector with bottom cable entry

