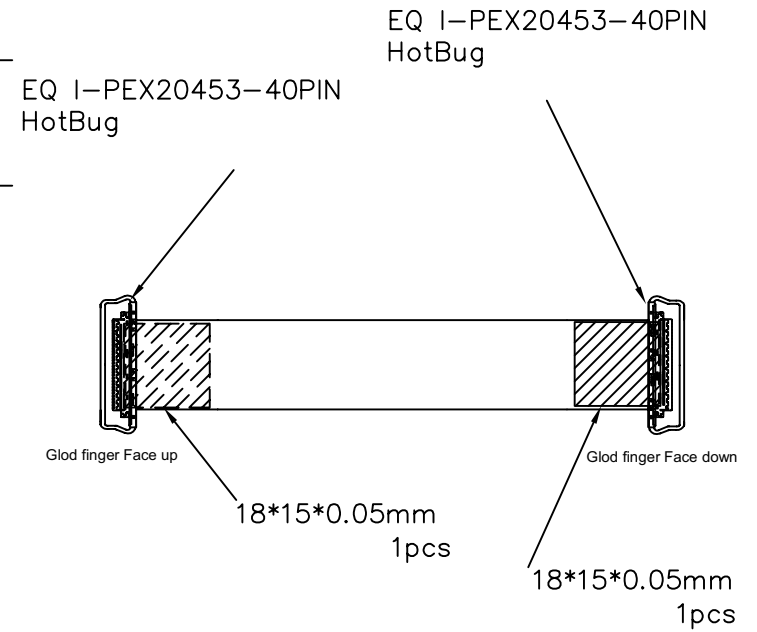
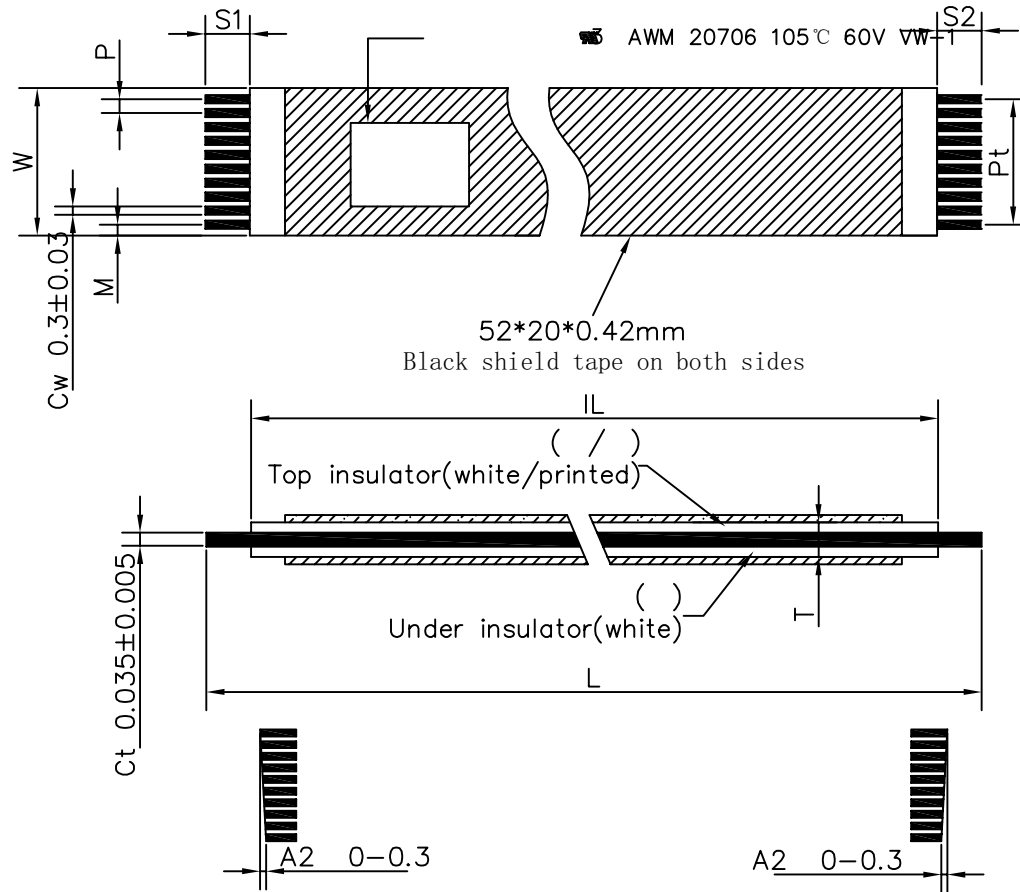


(Number of Conductors) N	P	40
(Pitch)	P	0.50±0.05
(Total Pitch) Pt	Pt	19.50±0.07
(Total Length) L	L	70.00±2.00
(Film Length) IL	IL	65.20±2.00
(Margin Width) M	M	0.50±0.07
(Total Width) W	W	20.50±0.07
(Strip Length) S1	S1	0.80±0.30
(Strip Length) S2	S2	0.80±0.30
(Slanting) A2	A2	≤0.3
(Thickness) T	T	0.15±0.03



(Spec)	0.5*40*70*A1 (0.8/0.8)(0.035*0.3)(0.06+0.06)UL20706		
3	(Top Insulation)	( / white/printed)	0.06
2	(Under Insulation)	( white)	0.06
1	(Conductor)	( Tin plating)	0.035*0.3
ITEM	DESCRIPTION	SPECIFICATION	REMARK
COMPONENT PARTS LIST			



ES&S part no. KAB-I-PEX-20453-040T-0070-FFC-1:1-SHIELD-PT

CustRev	REV.	ECN NO.	Date	
	A	(New release)	22/03/11	
(Cust Name):				(Scale) /
(Checked):				(Name): FFC
(Drawn):				(Date): 2022/03/11 (Unit): mm