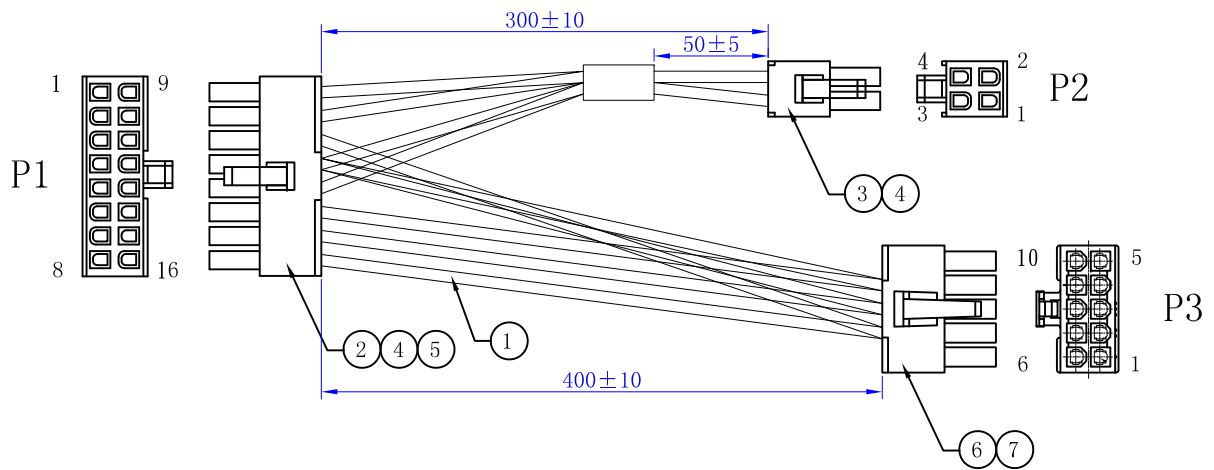


GP

REVISIONS			
REV	DESCRIPTION	DATE	APPROVED
A	initial release	2023/7/11	



P1		P2	P3
1	YELLOW	3	
2	YELLOW	4	
3	YELLOW		7
4	YELLOW		8
			9
12	BLACK	1	
13	BLACK	2	
14	BLACK		2
15	BLACK		3
16	BLACK		4



8		1	pcs
7		6	pcs
6	HOUSING: CP-01110031-E-X22	1	pcs
5	TERMINAL: 39-00-0079	1	pcs
4	TERMINAL: 39-00-0059	12	pcs
3	HOUSING: 39-01-2045	1	pcs
2	HOUSING: 39-01-2165	1	pcs
1	WIRE: UL1007 18AWG	10	pcs
NO	DESCRIPTION	Q'TY	UNIT

Simple Figure

CUSTOMER NUMBER:		GENERAL TOLERANCES	
		0-50	+/-1.5
		51-100	+/-3.0
		101-	+/-5.0
DRAWING BY:		ANGLE: ±3°	
CHECKED BY:		DIMENSION CLASSIFICATION	
APPROVED BY:		<input type="checkbox"/> : CRITICAL <input checked="" type="checkbox"/> : MAJOR <input type="checkbox"/> : MINOR () : FINAL	
UNIT : mm		REV :	A



PART NO:	KAB-MAIN-POWER-ATX12VO	CUSTOMER
DWG NO:		
TITLE:		
THIRD ANGLE PROJECTION		SHEET 1 OF 1

DO NOT SCALE DRAWING